

w-NEXT HD S & K

14 – 183 kW

Air conditioners for IT Cooling for chilled water feeding.
High cooling density version.



 EC FAN

 HIGH DENSITY

 HI-TEMPERATURE



ADAPTIVE
SET POINT



The picture of the unit is indicative and may vary depending on the model

- PERIMETER INSTALLATION
- HIGH CHILLED WATER TEMPERATURE
- VARIABLE AIR AND WATER FLOW
- AIR DELIVERY FROM THE BOTTOM (UNDER)
- PLUG FANS WITH EC ELECTRIC MOTOR
- 2-WAY CHILLED WATER VALVE
- AIR SUCTION TEMPERATURE UP TO 40°C

Technical Bulletin: T_wNEXTHDS_K_0118_GB

INDEX

MEHITS CERTIFICATIONS.....	3
GENERAL CHARACTERISTICS	4
INSTALLATION.....	5
PRODUCT FEATURES AND BENEFITS	5
MODEL IDENTIFICATION.....	5
STORING TEMPERATURE.....	5
WORKING LIMITS – w-NEXT HD S	6
WORKING LIMITS – w-NEXT HD K	7
WORKING LIMITS – w-NEXT HD K WITH HIGH CHILLED WATER TEMPERATURE	8
MAIN COMPONENTS.....	9
OPTIONAL ACCESSORIES	11
TECHNICAL DATA – w-NEXT HD S UNDER – EC FANS.....	12
TECHNICAL DATA – w-NEXT HD K UNDER – EC FANS.....	14
TECHNICAL DATA – w-NEXT HD K UNDER – EC FANS.....	16
HIGH CHILLED WATER TEMPERATURE - SELECTION AT NOMINAL CONDITIONS	16
HYDRAULIC DIAGRAM.....	18
2-WAY VALVE FOR WATER FLOW CONTROL.....	18
ACOUSTIC DATA	19
ELECTRICAL DATA.....	19
MICROPROCESSOR CONTROL SYSTEM.....	20
OPTIONAL ACCESSORIES – DOUBLE POWER SUPPLY WITH AUTOMATIC TRANSFER SWITCH	22
OPTIONAL ACCESSORIES – NETWORK ANALYZER.....	23
OPTIONAL ACCESSORIES – FIRE / SMOKE SENSORS	24
OPTIONAL ACCESSORIES - CONDENSATE DISCHARGE PUMP	25
OPTIONAL ACCESSORIES – MODULATING STEAM HUMIDIFIER.....	26
OPTIONAL ACCESSORIES – DEHUMIDIFICATION SYSTEM.....	28
OPTIONAL ACCESSORIES – 2-WAY VALVE FOR BY-PASS.....	28
OPTIONAL ACCESSORIES – ELECTRIC HEATERS	29
OPTIONAL ACCESSORIES - FLOOR STAND	31
OPTIONAL ACCESSORIES - DOUBLE PANELS IN EUROCLASS A1	32
OPTIONAL ACCESSORIES – M5 EFFICIENCY AIR FILTERS.....	32
OPTIONAL ACCESSORIES – NON RETURN MOTORIZED DAMPER.....	33
OPTIONAL ACCESSORIES - PLENUM ON AIR DELIVERY/RETURN	35
OPTIONAL ACCESSORIES – DIRECT FREE-COOLING PLENUM	41
OPTIONAL ACCESSORIES – COOLNET.....	43
OPTIONAL ACCESSORIES – ADAPTIVE SET-POINT	43
OPTIONAL ACCESSORIES – RC CLOUD PLATFORM: WEB SERVICES BASED ON CLOUD TECHNOLOGY FOR REMOTE MONITORING AND MANAGEMENT OF AIR CONDITIONING PLANTS.....	44
MACHINE DRAWINGS	45
HOLE IN THE RAISED FLOOR FOR DOWNFLOW VERSION	50
EXAMPLE FOR MACHINES NOISE EMISSION CALCULATION.....	51
VALVE PRESSURE DROP CALCULATION AS FUNCTION OF WATER FLOW RATE.....	52

MEHITS CERTIFICATIONS



SYSTEM CERTIFICATIONS

ISO 9001 CERTIFICATION – MEHITS S.p.A.
Quality Management System



ISO 14001 CERTIFICATION – MEHITS S.p.A.
Environmental Management System



BS OHSAS 18001 CERTIFICATION – MEHITS S.p.A.
Occupational Health and Safety Management System

PRODUCT CERTIFICATIONS BY COUNTRY



CE MARKING

MEHITS units are in compliance with the European Directives in force.



CCC – CQC CERTIFICATION
(People's Republic of China)



EAC CERTIFICATION
(Russian Federation, Belarus, Kazakhstan)



GENERAL CHARACTERISTICS



w-NEXT HD S & K
Downflow air delivery (Under)

w-NEXT HD S: Air Conditioners for IT Cooling.

- High cooling density version;
- Chilled water feeding;
- Variable air and water flow;
- Plug fans with EC electric motor.

This series, for perimeter installation, is offered in 10 models available in the following version:

- Downflow version (Under) characterized by air intake from the top and air delivery from the bottom of the unit.

Cooling capacity: 14,7 ÷ 145,0 kW

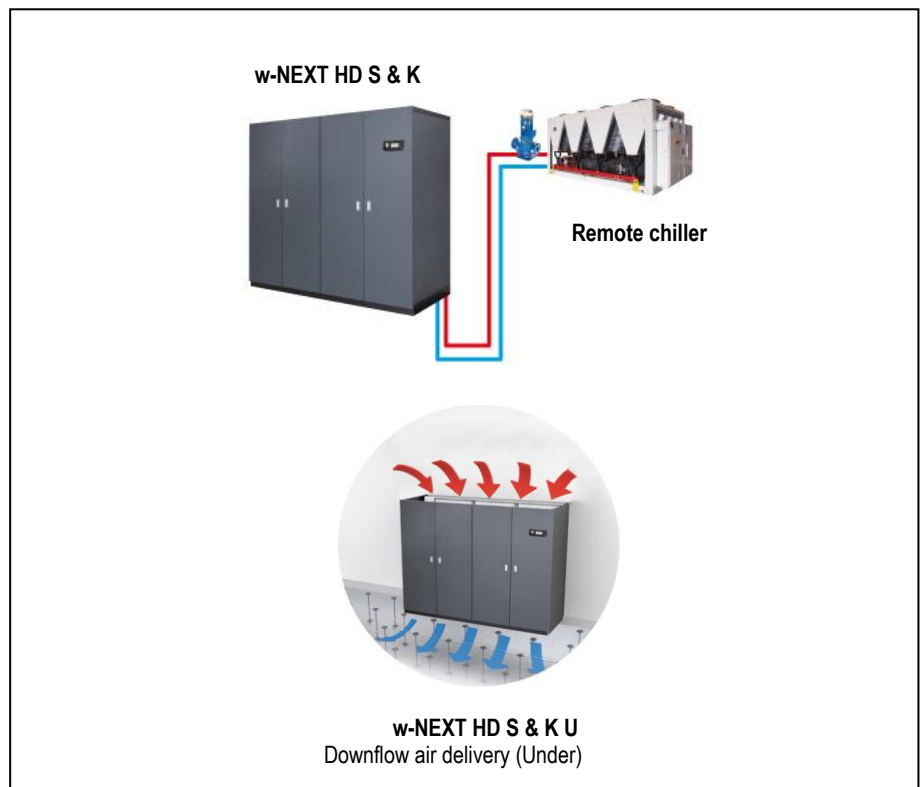
w-NEXT HD K: Air Conditioners for IT Cooling.

- High cooling density version;
- Operation with high chilled water temperature for the highest energy efficiency
- Chilled water feeding;
- Variable air and water flow;
- Plug fans with EC electric motor.

This series, for perimeter installation, is offered in 11 models available in the following version:

- Downflow version (Under) characterized by air intake from the top and air delivery from the bottom of the unit.

Cooling capacity: 14,3 ÷ 183,0 kW



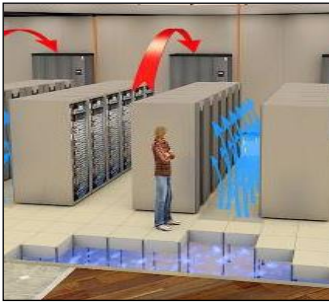
The machines are made for indoor installation.

The constructive solutions and the internal lay-out allow high application flexibility and the frontal access to the main components for the inspection and routine maintenance.

The installation requires electrical and hydraulic connections.

Final assembly on all machines before shipment including running test, reading and monitoring of operating parameters, alarms simulation and visual check.

INSTALLATION



DOWNFLOW VERSION (Under)

Typical installation is on the perimeter.

The units are placed along the perimeter of the data center. Air suction from the top of the unit and air delivery in the underfloor void.

The air distribution is achieved by special tiles placed in front of the racks row, forming cold aisle for air diffusion. On the rear of the racks is expelled the hot air (hot aisle) then aspirated by the unit.

For an optimal installation is advisable to provide the cold aisle containment.

Some solutions provide a service corridor around the server rooms where to place the units. In this case it is necessary to provide the air intake plenum for each unit. With this solution all the space in the Data Center is available for the installation of racks.

OPTIONAL

An extensive list of accessories allows the unit to adapt effectively to the real needs of the system, reducing the time and cost of installation.

PRODUCT FEATURES AND BENEFITS

w-NEXT HD S & K:

- SHR = 1;
- Optimization of the hydraulic circuit;
- New plug fans with EC electric motors with impeller in composite material, which guarantees a reduction of power consumption;
- New fans electric motor that do not require maintenance;
- Improvement of the control software, developed by MEHITS, with advanced control logic;
- Increased cooling density, up to 56,1 kW per m²;
- Operation with high chilled water temperature (K version) for the highest energy efficiency;
- Total front access for the routine maintenance;
- Panels fully removable to facilitate the operations of extraordinary maintenance;

MODEL IDENTIFICATION

Air conditioners for IT Cooling for chilled water feeding

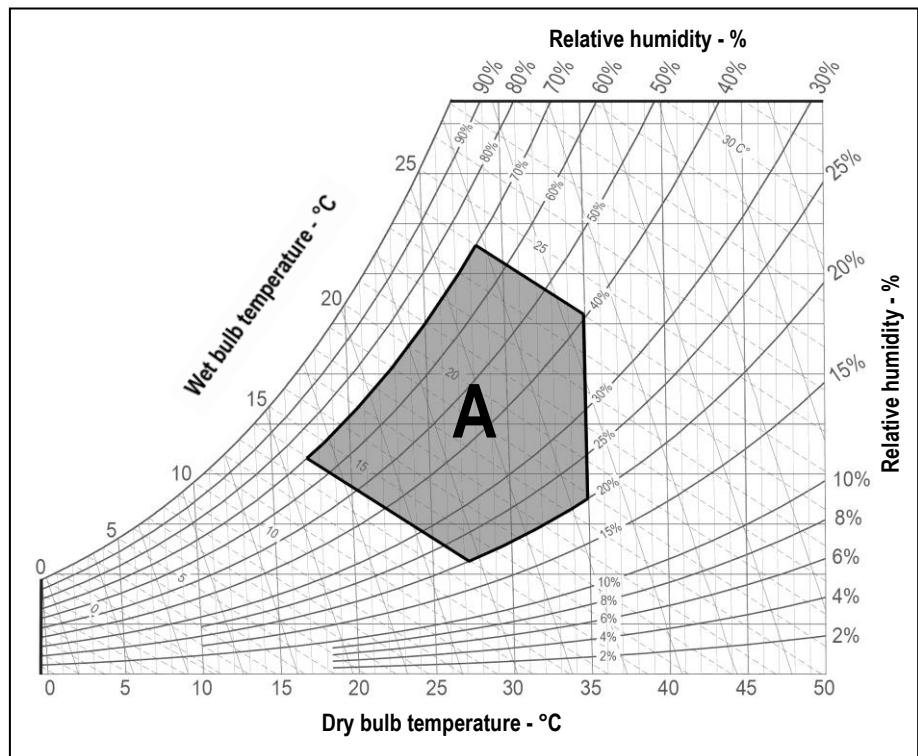
model: w-NEXT HD S U 072 E5

w-NEXT HD	Series
S	Version S = Hi Density K = Hi Density / Hi chilled water temperature
U	Air delivery U = under – downflow air delivery
072	Model / Cooling capacity (kW) at nominal conditions
E5	Size

STORING TEMPERATURE

If the machine is not installed on receipt and is stored for a long time, store it in a protected place, at temperatures ranging between -30°C and 50°C in absence of superficial condensation and direct sun light

WORKING LIMITS – w-NEXT HD S



ROOM AIR CONDITIONS

Room air temperature:

- 14°C minimum temperature with wet bulb.
- 24°C maximum temperature with wet bulb.
- 17°C minimum temperature with dry bulb.
- 35°C maximum temperature with dry bulb.

AREA "A". Machine operating envelope.

Room air humidity:

- 20%RH minimum relative humidity.
- 70%RH maximum relative humidity.

CHILLED WATER TEMPERATURE

- 7°C Minimum chilled water inlet temperature
- 12°C Maximum chilled water inlet temperature
- ΔT 4°C Minimum temperature difference between chilled water inlet and outlet
- ΔT 6°C Maximum temperature difference between chilled water inlet and outlet

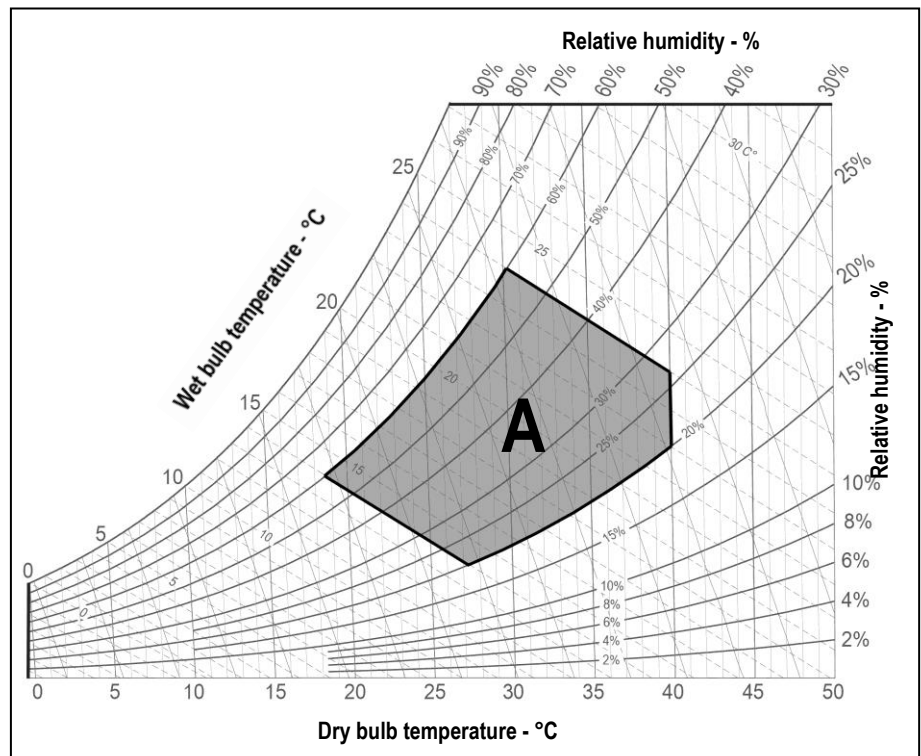
HYDRAULIC CIRCUIT

- 10 Bar Maximum working pressure of the hydraulic circuit

POWER SUPPLY

- $\pm 10\%$ Maximum tolerance of the supply voltage (V)

WORKING LIMITS – w-NEXT HD K



ROOM AIR CONDITIONS

Room air temperature:

- 14°C minimum temperature with wet bulb.
- 24°C maximum temperature with wet bulb.
- 18°C minimum temperature with dry bulb.
- 40°C maximum temperature with dry bulb.

AREA "A". Machine operating envelope.

Room air humidity:

- 20%RH minimum relative humidity.
- 60%RH maximum relative humidity.

CHILLED WATER TEMPERATURE

- 10°C Minimum chilled water inlet temperature
- 15°C Maximum chilled water inlet temperature
- ΔT 4°C Minimum temperature difference between chilled water inlet and outlet
- ΔT 6°C Maximum temperature difference between chilled water inlet and outlet

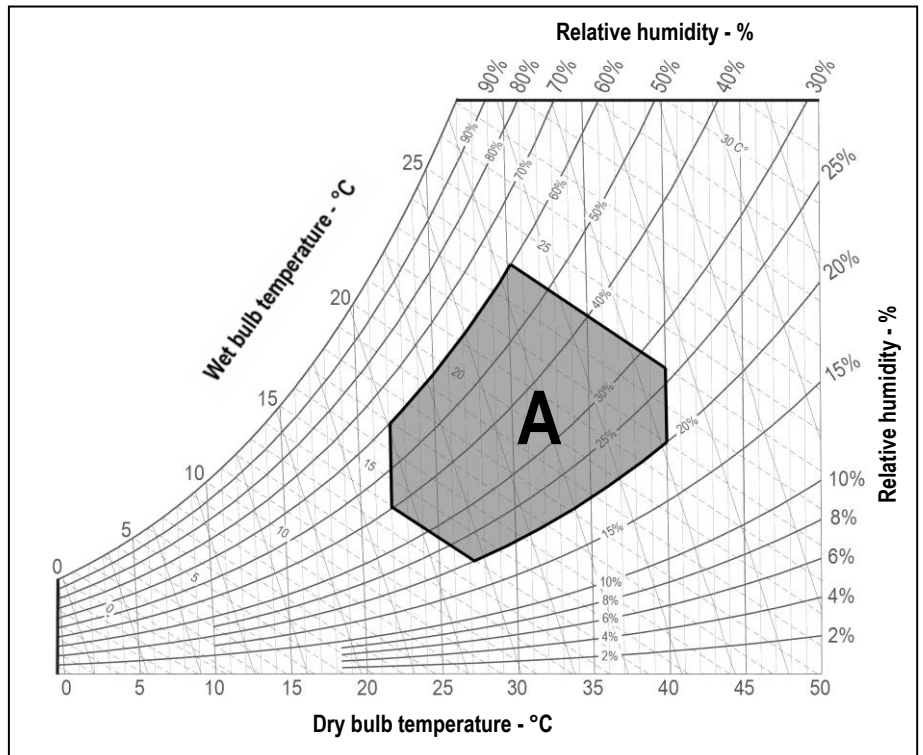
HYDRAULIC CIRCUIT

- 10 Bar Maximum working pressure of the hydraulic circuit

POWER SUPPLY

- $\pm 10\%$ Maximum tolerance of the supply voltage (V)

WORKING LIMITS – w-NEXT HD K with high chilled water temperature



ROOM AIR CONDITIONS

Room air temperature:

- 14°C minimum temperature with wet bulb.
- 24°C maximum temperature with wet bulb.
- 22°C minimum temperature with dry bulb.
- 40°C maximum temperature with dry bulb.

AREA "A". Machine operating envelope.

Room air humidity:

- 20%RH minimum relative humidity.
- 60%RH maximum relative humidity.

CHILLED WATER TEMPERATURE

- 15°C Minimum chilled water inlet temperature
- 22°C Maximum chilled water inlet temperature
- ΔT 6°C Minimum temperature difference between chilled water inlet and outlet
- ΔT 8°C Maximum temperature difference between chilled water inlet and outlet

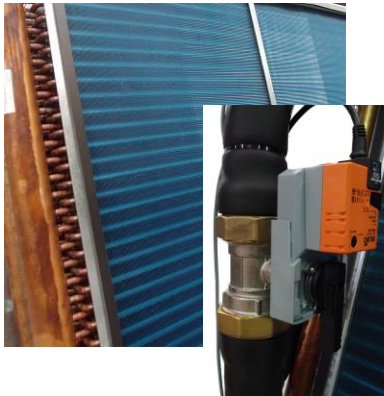
HYDRAULIC CIRCUIT

- 10 Bar Maximum working pressure of the hydraulic circuit

POWER SUPPLY

- $\pm 10\%$ Maximum tolerance of the supply voltage (V)

MAIN COMPONENTS



FRAMEWORK

- Base in aluminium extrusion, painted with epoxy powders. Colour RAL 9005;
- Frame in aluminium profile, painted with epoxy powders. The inner frame is provided with seals for the panels. Colour RAL 9005;
- Panels in galvanized steel sheet with protective surfaces treatment in compliance with UNI ISO 9227/ASTMB117 and ISO 7253, and painted with epoxy powders. Colour RAL 7016 hammered;
- Panels insulated with polyurethane foam and seals to ensure air tight.
- Hinged front panels with quick release removal system.
- Total front access for routine maintenance.
- Removable lateral and back side panels.
- Air flow UNDER version:
 - Air intake from the top and air delivery from the bottom.
- Compartment for electrical panel on unit front for direct access to control and regulation devices;

FILTER SECTION

- Washable air filters with G4 efficiency, with cells in synthetic fibre and metallic frame (EN 779-2012).
- Air filters access:
 - Frontal access for all machines

COOLING SECTION

- Heat exchanger coil with internally corrugated copper tubes and high efficiency aluminium fins, specifically developed to provide high heat transfer and lower pressure drops.
- Finned pack with hydrophilic treatment that assure the condensate water drop, high thermal conductivity and does not favour the growth of micro-organisms.
- 2-way motorized valve for water flow regulation with 0÷10 VDC control actuator and emergency manual control.
- Frame in galvanized steel.
- Condensate tray in peraluman with PVC flexible discharge pipe.
- Air temperature sensors upstream and downstream the cooling section, with control, regulation and limitation functions.
- Temperature probe on chilled water inlet.

FANS SECTION

The fan section is contained within the machine and includes:

- Centrifugal fans with backward curved blades with wing profile, single suction and without scroll housings (Plug-fans), directly coupled to external rotor electric motor.
 - Impeller in composite material exempt from rust formation.
 - Brushless type synchronous EC motor with integrated electronic commutated system and continuous variation of the rotation speed. The motor rotation control is obtained with the EC system (Electronic Commutation) that manage the motor according to the signal coming from the microprocessor control.
- Fans control with proportional signal 0-10V.
- Fan guard with rubber support (UNDER version)



ELECTRICAL PANEL

In accordance with EN60204-1 norms, suitable for indoor installation, complete with:

- Main switch with door lock safety on frontal panel;
- Magnetothermic switches for supply fans.
The supply fans equipped with EC electric motor and don't require contactors.
- Transformer for auxiliary circuit and microprocessor supply.

Terminals:

OUTLETS

- Voltage free deviating contact for General Alarm 1-2
- Voltage free contact for supply fans status.

INLETS

- External enabling.
- Power supply 400/3/50+N.



CONTROL SYSTEM

Microprocessor control system with graphic display for control and monitor of operating and alarms status.

The system includes:

- Built-in clock for alarms date and time displaying and storing;
- Built-in memory for the storing of the intervened events (up to 200 events recorded);
- Integrated connectivity port MBUS RS485/JBUS;
- Predisposition for additional connectivity board housing (MBUS RS485/JBUS, MBUS RS232/JBUS for GSM modem, LON, BACnet for Ethernet (SNMP- TCP/IP), BACnet for MS/TP). The electronic cards are optional accessories.
- Main components hour-meter;
- Non-volatile "Flash" memory for data storage in case of power supply faulty;
- Menu with protection password;
- LAN connection (max 10 units).

OPTIONAL ACCESSORIES

The descriptions of these additional components can be found in Chapter OPTIONAL ACCESSORIES.

- Double power supply with automatic change-over. Not compatible with “oversized electric heaters” and “oversized humidifier” optional accessories.
- Network analyzer: multifunction utility for calculating and displaying the machine electrical measurements.
- Smoke sensor. Supplied in mounting kit.
- Fire sensor. Supplied in mounting kit.
- Condensate drain system. Supplied in mounting kit. The system includes pump with activation float and 10 linear meters long discharge pipe.
- Modulating steam humidifier with immersed electrodes with electronic control. The optional foresee the combined Temperature / Humidity sensor on return air.
- Dehumidification system. The optional foresee the combined Temperature / Humidity sensor on return air.
- 2-way motorized valve with 0÷10 VDC control actuator and emergency manual control for the third way (by-pass) of the hydraulic circuit. The valve is in combination with the main water flow control valve.
- Electric heating system consisting of aluminium armoured elements with integral fins
- Unit floor stand with height adjusting rubber holders. It is not possible to match the unit floor stand with plenum installed under the machine.
- Double panels in Euroclass A1.
- Washable air filter with M5 efficiency.
- Non-return air damper driven by electric servomotor installed on the machine air return.
- Empty plenum. Available in Euroclass A1.
- Plenum with noise absorption partitions on air delivery.
- Plenum with M6/F7/F9 efficiency filters on air delivery. Not compatible with washable air filter with M5 efficiency.
- Air distribution plenum with double row adjustable grille on front side. Available in Euroclass A1.
- Air distribution plenum with double row adjustable grilles on three sides. Available in Euroclass A1.
- Air distribution plenum with double row adjustable grille on front side and noise absorption partitions.
- Plenum for direct free-cooling on air intake. The optional foresee the combined Temperature / Humidity sensor on machine air suction and the Temperature sensor for ambient air.
- COOLNET: application software to maximize energy saving in Load Sharing.
- ADAPTIVE SET POINT: software that optimizes the operation of liquid chillers connected to the indoor air conditioners by control of the effective room thermal load.
- KIP LINK: Keyboard in your pocket. Allows to operate on the unit with smartphone or tablet.
- RC CLOUD PLATFORM: Web services based on cloud technology for remote monitoring and management.

OTHER ACCESSORIES

- Automatic system for the air pressure control in the under floor. The system controls the supply fans rotation speed in order to keep constant the air pressure in the under floor via a differential pressure transmitter connected to the microprocessor control.
- Differential pressure switch on the air side for clogged filters alarm signal.
- Under floor water alarm through sensor to be placed on the floor.
- Additional underfloor water sensor kit.
- Combined Temperature / Humidity sensor on return air.
- Temperature sensor for outdoor installation.
- Combined Temperature / Humidity sensor for remote installation. The optional is added to the standard sensor on machine air suction.
- Microprocessor control accessories:
 - Remote terminal.
 - Serial card MBUS RS485/JBUS.
 - Serial card MBUS RS232/JBUS for GSM modem.
 - Serial card LON.
 - Serial card BACnet for Ethernet – SNMP – TCP/IP.
 - Serial card BACnet for MS/TP.
 - Temporary microprocessor power supply. The system guarantees the microprocessor power supply for a few minutes, in case of supply voltage failure.
 - Smoke or Fire sensor contact.
 - Analogue set point compensation according to an external analogue signal at Customer care.
The microprocessor control, through the additional module “expansion card”, can manage a compensation signal of the return air setpoint by analogue input (0...1V; 0...5V; 0,5...4,5V; 4...20mA; 0...20mA). The compensation curve allows to assign a temperature setpoint offset respectively to the minimum and maximum signal managed by the input.

WARNING

MEHITS reserves the right to accept the matching of the optional installed on the machine.

TECHNICAL DATA – w-NEXT HD S Under – EC Fans

MODEL		015	024	041	048	060
SIZE		E1	E2	E3	E3P	E4
COOLING CAPACITY (1)						
Total	kW	14,7	24,2	38,2	47,3	59,8
Sensible	kW	12,7	21,1	32,7	40,8	52,0
SHR (2)	kW/kW	0,86	0,87	0,86	0,86	0,87
"EC" SUPPLY FANS						
	n.	1	1	1	1	1
Air flow	m ³ /h	3250	5560	8300	10500	13600
Nominal external static pressure	Pa	20	20	20	20	20
Maximum external static pressure	Pa	36	39	225	330	68
Fans power input (3)	kW	0,33	0,89	1,43	1,80	2,23
COOLING COIL						
Water flow rate (1)	m ³ /h	2,5	4,1	6,6	8,1	10,3
dP coil + valve (1)	kPa	26	60	69	55	65
Water volume	l	4,2	5,3	7,8	11,4	13,8
AIR FILTERS						
	n.	-	-	-	-	-
Filter area	m ²	0,89	1,15	1,76	2,06	2,59
Efficiency		G4	G4	G4	G4	G4
POWER SUPPLY						
	V/Ph/Hz	400/3/50+N	400/3/50+N	400/3/50+N	400/3/50+N	400/3/50+N
ENERGY EFFICIENCY INDEX (1)						
EER Energy Efficiency Ratio	kW/kW	44,5	27,2	26,7	26,3	26,8
DIMENSIONS						
Length	mm	650	785	1085	1085	1305
Width	mm	675	675	775	930	930
Height	mm	1925	1925	1925	1925	1980
NET WEIGHT UNDER						
	kg	216	257	325	329	379
HYDRAULIC CONNECTIONS						
WATER INLET / OUTLET ISO 7/1 - R	Ø	1"	1+1/4"	1+1/2"	1+1/2"	2"
WATER INLET / OUTLET – DN – PN10 (4)	Ø mm	-	-	-	-	-
CONDENSATE DISCHARGE						
Rubber pipe – internal diameter	Ø mm	19	19	19	19	19

THE COOLING CAPACITY DOES NOT CONSIDER THE SUPPLY FAN MOTOR THERMAL LOAD

1. Gross value. Characteristics referred to entering air at 24°C-50%RH with chilled water temperature 7-12°C - 0% glycol. ESP=20Pa.
2. SHR = Sensible cooling capacity / Total cooling capacity.
3. Corresponding to the nominal external static pressure
4. The counter-flange is not supplied. It is at Customer charge

w-NEXT HD S & K

TECHNICAL DATA – w-NEXT HD S Under – EC Fans

MODEL		072	090	110	122	146
SIZE		E5	E6	E7	E8	E9
COOLING CAPACITY (1)						
Total	kW	71,0	89,9	111,0	125,0	145,0
Sensible	kW	62,5	78,2	95,2	106,0	124,0
SHR (2)	kW/kW	0,88	0,87	0,86	0,85	0,86
"EC" SUPPLY FANS						
	n.	2	2	2	3	3
Air flow	m ³ /h	16800	20500	24300	26500	31500
Nominal external static pressure	Pa	20	20	20	20	20
Maximum external static pressure	Pa	375	325	175	309	565
Fans power input (3)	kW	2,96	3,64	3,81	4,88	5,67
COOLING COIL						
Water flow rate (1)	m ³ /h	12,2	15,5	19,1	21,6	24,9
dP coil + valve (1)	kPa	36	60	95	80	73
Water volume	l	18,1	21,2	24,6	28,5	33,8
AIR FILTERS						
	n.	-	-	-	-	-
Filter area	m ²	3,33	3,9	4,62	5,24	6,13
Efficiency		G4	G4	G4	G4	G4
POWER SUPPLY						
	V/Ph/Hz	400/3/50+N	400/3/50+N	400/3/50+N	400/3/50+N	400/3/50+N
ENERGY EFFICIENCY INDEX (1)						
EER Energy Efficiency Ratio	kW/kW	24,0	24,7	29,1	25,6	25,6
DIMENSIONS						
Length	mm	1630	1875	2175	2499	2899
Width	mm	930	930	930	930	930
Height	mm	1980	1980	1980	1980	1980
NET WEIGHT UNDER						
	kg	470	531	589	660	753
HYDRAULIC CONNECTIONS						
WATER INLET / OUTLET ISO 7/1 - R	Ø	2"	2+1/2"	2+1/2"	3"	3"
WATER INLET / OUTLET – DN – PN10 (4)	Ø mm	-	-	-	-	-
CONDENSATE DISCHARGE						
Rubber pipe – internal diameter	Ø mm	19	19	19	19	19

THE COOLING CAPACITY DOES NOT CONSIDER THE SUPPLY FAN MOTOR THERMAL LOAD

1. Gross value. Characteristics referred to entering air at 24°C-50%RH with chilled water temperature 7-12°C - 0% glycol. ESP=20Pa.
2. SHR = Sensible cooling capacity / Total cooling capacity.
3. Corresponding to the nominal external static pressure
4. The counter-flange is not supplied. It is at Customer charge

TECHNICAL DATA – w-NEXT HD K Under – EC Fans

MODEL		015	024	041	048	060	072
SIZE		E1	E2	E3	E3P	E4	E5
COOLING CAPACITY (1)							
Total	kW	15,3	24,8	38,6	48,2	62,1	76,8
Sensible	kW	15,3	24,8	38,6	48,2	62,1	76,8
SHR (2)	kW/kW	1,00	1,00	1,00	1,00	1,00	1,00
"EC" SUPPLY FANS							
"EC" SUPPLY FANS	n.	1	1	1	1	1	2
Air flow	m ³ /h	3150	5500	8300	10500	13600	16800
Nominal external static pressure	Pa	20	20	20	20	20	20
Maximum external static pressure	Pa	48	20	390	307	42	350
Fans power input (3)	kW	0,31	0,91	1,46	1,88	2,35	3,11
COOLING COIL							
Water flow rate (1)	m ³ /h	2,6	4,3	6,7	8,3	10,7	13,2
dP coil + valve (1)	kPa	51	32	43	55	46	50
Water volume	l	6,3	7,9	11,7	17,2	20,8	27,2
AIR FILTERS							
AIR FILTERS	n.	-	-	-	-	-	-
Filter area	m ²	0,89	1,15	1,76	2,06	2,59	3,33
Efficiency		G4	G4	G4	G4	G4	G4
POWER SUPPLY							
POWER SUPPLY	V/Ph/Hz	400/3/50+N	400/3/50+N	400/3/50+N	400/3/50+N	400/3/50+N	400/3/50+N
ENERGY EFFICIENCY INDEX (1)							
EER Energy Efficiency Ratio	kW/kW	49,4	27,3	26,4	25,6	26,4	24,7
DIMENSIONS							
Length	mm	650	785	1085	1085	1305	1630
Width	mm	675	675	775	930	930	930
Height	mm	1925	1925	1925	1925	1980	1980
NET WEIGHT UNDER							
NET WEIGHT UNDER	kg	220	261	332	330	385	478
HYDRAULIC CONNECTIONS							
WATER INLET / OUTLET ISO 7/1 - R	Ø	1"	1+1/4"	1+1/2"	1+1/2"	2"	2"
WATER INLET / OUTLET – DN – PN10 (4)	Ø mm	-	-	-	-	-	-
CONDENSATE DISCHARGE							
Rubber pipe – internal diameter	Ø mm	19	19	19	19	19	19

THE COOLING CAPACITY DOES NOT CONSIDER THE SUPPLY FAN MOTOR THERMAL LOAD

1. Gross value. Characteristics referred to entering air at 26°C-40%RH with chilled water temperature 10-15°C - 0% glycol. ESP=20Pa.
2. SHR = Sensible cooling capacity / Total cooling capacity.
3. Corresponding to the nominal external static pressure
4. The counter-flange is not supplied. It is at Customer charge

TECHNICAL DATA – w-NEXT HD K Under – EC Fans

MODEL		090	110	122	146	170
SIZE		E6	E7	E8	E9	E10
COOLING CAPACITY (1)						
Total	kW	94,7	111,0	122,0	144,0	183,0
Sensible	kW	94,7	111,0	122,0	144,0	183,0
SHR (2)	kW/kW	1,00	1,00	1,00	1,00	1,00
"EC" SUPPLY FANS						
	n.	2	2	3	3	3
Air flow	m ³ /h	20500	24300	26500	31500	39600
Nominal external static pressure	Pa	20	20	20	20	20
Maximum external static pressure	Pa	300	150	285	285	65
Fans power input (3)	kW	3,68	4,03	5,04	5,90	6,93
COOLING COIL						
Water flow rate (1)	m ³ /h	16,3	19,1	21,0	24,8	31,5
dP coil + valve (1)	kPa	53	41	51	55	92
Water volume	l	31,8	36,8	42,7	50,6	63,0
AIR FILTERS						
	n.	-	-	-	-	-
Filter area	m ²	3,9	4,62	5,24	6,13	6,13
Efficiency		G4	G4	G4	G4	G4
POWER SUPPLY						
	V/Ph/Hz	400/3/50+N	400/3/50+N	400/3/50+N	400/3/50+N	400/3/50+N
ENERGY EFFICIENCY INDEX (1)						
EER Energy Efficiency Ratio	kW/kW	25,7	27,5	24,2	24,4	26,4
DIMENSIONS						
Length	mm	1875	2175	2499	2899	3510
Width	mm	930	930	930	930	930
Height	mm	1980	1980	1980	1980	1980
NET WEIGHT UNDER						
	kg	540	598	669	764	930
HYDRAULIC CONNECTIONS						
WATER INLET / OUTLET ISO 7/1 - R	Ø	2+1/2"	2+1/2"	3"	3"	-
WATER INLET / OUTLET – DN – PN10 (4)	Ø mm	-	-	-	-	80
CONDENSATE DISCHARGE						
Rubber pipe – internal diameter	Ø mm	19	19	19	19	19

THE COOLING CAPACITY DOES NOT CONSIDER THE SUPPLY FAN MOTOR THERMAL LOAD

1. Gross value. Characteristics referred to entering air at 26°C-40%RH with chilled water temperature 10-15°C - 0% glycol. ESP=20Pa.
2. SHR = Sensible cooling capacity / Total cooling capacity.
3. Corresponding to the nominal external static pressure
4. The counter-flange is not supplied. It is at Customer charge

TECHNICAL DATA – w-NEXT HD K Under – EC Fans High chilled water temperature - Selection at nominal conditions



MODEL		015	024	041	048	060	072
SIZE		E1	E2	E3	E3P	E4	E5
COOLING CAPACITY (1)							
Total	kW	14,3	23,2	35,9	44,9	57,8	71,7
Sensible	kW	14,3	23,2	35,9	44,9	57,8	71,7
SHR (2)	kW/kW	1,00	1,00	1,00	1,00	1,00	1,00
"EC" SUPPLY FANS							
	n.	1	1	1	1	1	2
Air flow	m³/h	3150	5500	8300	10500	13600	16800
Nominal external static pressure	Pa	20	20	20	20	20	20
Maximum external static pressure	Pa	48	20	390	307	42	350
Fans power input (3)	kW	0,31	0,91	1,46	1,88	2,35	3,11
COOLING COIL							
Water flow rate (1)	m³/h	1,5	2,5	3,9	4,9	6,2	7,7
dP coil + valve (1)	kPa	19	12	16	20	17	18
Water volume	l	6,3	7,9	11,7	17,2	20,8	27,2
AIR FILTERS							
	n.	-	-	-	-	-	-
Filter area	m²	0,89	1,15	1,76	2,06	2,59	3,33
Efficiency		G4	G4	G4	G4	G4	G4
POWER SUPPLY							
	V/Ph/Hz	400/3/50+N	400/3/50+N	400/3/50+N	400/3/50+N	400/3/50+N	400/3/50+N
ENERGY EFFICIENCY INDEX (1)							
EER Energy Efficiency Ratio	kW/kW	46,1	25,5	24,6	23,9	24,6	23,1
DIMENSIONS							
Length	mm	650	785	1085	1085	1305	1630
Width	mm	675	675	775	930	930	930
Height	mm	1925	1925	1925	1925	1980	1980
NET WEIGHT UNDER							
	kg	220	261	332	330	385	478
HYDRAULIC CONNECTIONS							
WATER INLET / OUTLET ISO 7/1 - R	Ø	1"	1+1/4"	1+1/2"	1+1/2"	2"	2"
WATER INLET / OUTLET – DN – PN10 (4)	Ø mm	-	-	-	-	-	-
CONDENSATE DISCHARGE							
Rubber pipe – internal diameter	Ø mm	19	19	19	19	19	19

THE COOLING CAPACITY DOES NOT CONSIDER THE SUPPLY FAN MOTOR THERMAL LOAD

1. Gross value. Characteristics referred to entering air at 35°C-30%RH with chilled water temperature 18-26°C - 0% glycol. ESP=20Pa.
2. SHR = Sensible cooling capacity / Total cooling capacity.
3. Corresponding to the nominal external static pressure
4. The counter-flange is not supplied. It is at Customer charge

TECHNICAL DATA – w-NEXT HD K Under – EC Fans High chilled water temperature - Nominal selection



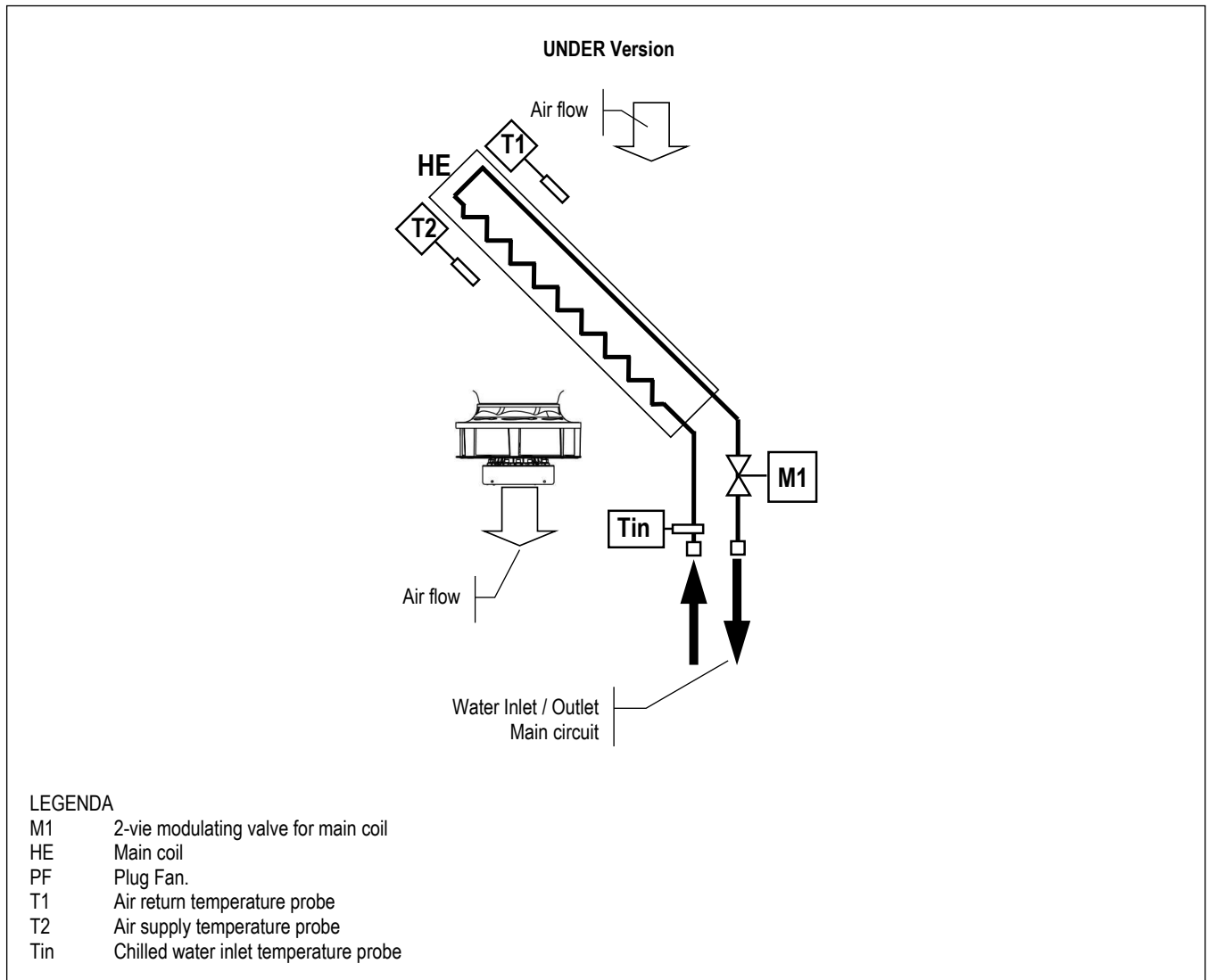
MODEL		090	110	122	146	170
SIZE		E6	E7	E8	E9	E10
COOLING CAPACITY (1)						
Total	kW	87,9	102,0	113,0	133,0	169,0
Sensible	kW	87,9	102,0	113,0	133,0	169,0
SHR (2)	kW/kW	1,00	1,00	1,00	1,00	1,00
"EC" SUPPLY FANS						
Air flow	m ³ /h	20500	24300	26500	31500	39600
Nominal external static pressure	Pa	20	20	20	20	20
Maximum external static pressure	Pa	300	150	285	285	65
Fans power input (3)	kW	3,68	4,03	5,04	5,90	6,93
COOLING COIL						
Water flow rate (1)	m ³ /h	9,5	11,1	12,2	14,4	18,3
dP coil + valve (1)	kPa	19	14	18	19	32
Water volume	l	31,8	36,8	42,7	50,6	63,0
AIR FILTERS						
Filter area	m ²	3,9	4,62	5,24	6,13	6,13
Efficiency		G4	G4	G4	G4	G4
POWER SUPPLY						
	V/Ph/Hz	400/3/50+N	400/3/50+N	400/3/50+N	400/3/50+N	400/3/50+N
ENERGY EFFICIENCY INDEX (1)						
EER Energy Efficiency Ratio	kW/kW	23,9	25,3	22,4	22,5	24,4
DIMENSIONS						
Length	mm	1875	2175	2499	2899	3510
Width	mm	930	930	930	930	930
Height	mm	1980	1980	1980	1980	1980
NET WEIGHT UNDER						
	kg	540	598	669	764	930
HYDRAULIC CONNECTIONS						
WATER INLET / OUTLET ISO 7/1 - R	Ø	2+1/2"	2+1/2"	3"	3"	-
WATER INLET / OUTLET – DN – PN10 (4)	Ø mm	-	-	-	-	80
CONDENSATE DISCHARGE						
Rubber pipe – internal diameter	Ø mm	19	19	19	19	19

THE COOLING CAPACITY DOES NOT CONSIDER THE SUPPLY FAN MOTOR THERMAL LOAD

1. Gross value. Characteristics referred to entering air at 35°C-30%RH with chilled water temperature 18-26°C - 0% glycol. ESP=20Pa.
2. SHR = Sensible cooling capacity / Total cooling capacity.
3. Corresponding to the nominal external static pressure
4. The counter-flange is not supplied. It is at Customer charge

HYDRAULIC DIAGRAM

Below hydraulic diagram referred to the standard configuration without optional.



2-WAY VALVE FOR WATER FLOW CONTROL



The water flow control in the finned coil is achieved through a **2-way modulating ball valve with equal percentage flow control** ensured by the integrated characterizing disc.

This type of valve offers the following series of benefits:

- Equal percentage flow control.
- Closing seal with leakage rate in Class A (EN 12266-1)
- No peaks initial flow.
- Excellent stability control thanks to the integrated characterizing disc.
- Closing pressure very high.
- Excellent characteristic in partialisation.
- Stability in control.
- Wide operating pressures which provide an optimal adjustment of the water flow even under extreme conditions.
- Maintenance free.
- Self-cleaning.

The rotative actuator is controlled by a signal 0 ... 10VDC from the microprocessor controller. The actuator is equipped with an emergency button for manual operation and is maintenance-free.

ACOUSTIC DATA

Acoustic data of the standard machine at full load working conditions.

WARNING:

In a closed room the noise produced by a sound source reaches the listener in two different ways:

- Directly
- Reflected from the surrounding walls, floor, ceiling, from furniture.

With the same sound source, the noise produced in a closed room is greater than that produced outdoors. In fact, the sound pressure level generated by the source, must be added to the one reflected from the room. Also, the shape of the room affects the sound.

w-NEXT HD S Under

MODEL		015	024	041	048	060	072	090	110	122	146
SIZE		E1	E2	E3	E3P	E4	E5	E6	E7	E8	E9
SOUND LEVEL (1)											
On air delivery Under	dB(A)	67,4	76,8	77,2	78,3	79,9	80,2	80,7	80,7	83,1	83,1
On air intake Under	dB(A)	57,9	62,5	63,2	65,7	67,3	66,1	68,1	68,0	68,9	70,4
On front side Under	dB(A)	48,7	52,9	53,5	56,3	57,8	56,5	58,6	58,6	59,3	61,0

w-NEXT HD K Under

MODEL		015	024	041	048	060	072	090	110	122	146	170
SIZE		E1	E2	E3	E3P	E4	E5	E6	E7	E8	E9	E10
SOUND LEVEL (1)												
On air delivery Under	dB(A)	66,7	76,3	77,0	78,3	79,9	80,3	80,7	80,8	83,1	83,0	84,1
On air intake Under	dB(A)	57,3	62,0	62,8	65,6	67,3	66,1	68,1	68,1	68,9	70,4	71,5
On front side Under	dB(A)	48,0	52,5	53,2	56,2	57,9	56,5	58,6	58,7	59,3	60,9	62,0

1. Noise pressure level at 1 meter in free field – ISO 3744

ELECTRICAL DATA

w-NEXT HD S Over / Under

MODEL		015	024	041	048	060
SIZE		E1	E2	E3	E3P	E4
Power supply		400/3/50+N	400/3/50+N	400/3/50+N	400/3/50+N	400/3/50+N
Maximum current input	A	1,6	1,7	4,2	4,4	4,2

MODEL		072	090	110	122	146
SIZE		E5	E6	E7	E8	E9
Power supply		400/3/50+N	400/3/50+N	400/3/50+N	400/3/50+N	400/3/50+N
Maximum current input	A	8,4	8,9	8,3	12,6	13,3

w-NEXT HD K Over / Under

MODEL		015	024	041	048	060	072
SIZE		E1	E2	E3	E3P	E4	E5
Power supply		400/3/50+N	400/3/50+N	400/3/50+N	400/3/50+N	400/3/50+N	400/3/50+N
Maximum current input	A	1,6	1,7	4,2	4,4	4,2	8,4

MODEL		090	110	122	146	170
SIZE		E6	E7	E8	E9	E10
Power supply		400/3/50+N	400/3/50+N	400/3/50+N	400/3/50+N	400/3/50+N
Maximum current input	A	8,9	8,3	12,6	13,3	12,5




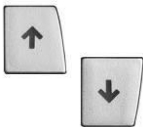



MICROPROCESSOR CONTROL SYSTEM



The microprocessor control system is equipped with 6 keys terminal and back lighted graphic display on which all information in different languages or easily identifiable symbols are displayed. The system disposes of a "flash" memory that preserves the information even in absence of power supply. Part of memory is dedicated to the registration of intervened events - up to 200 events.

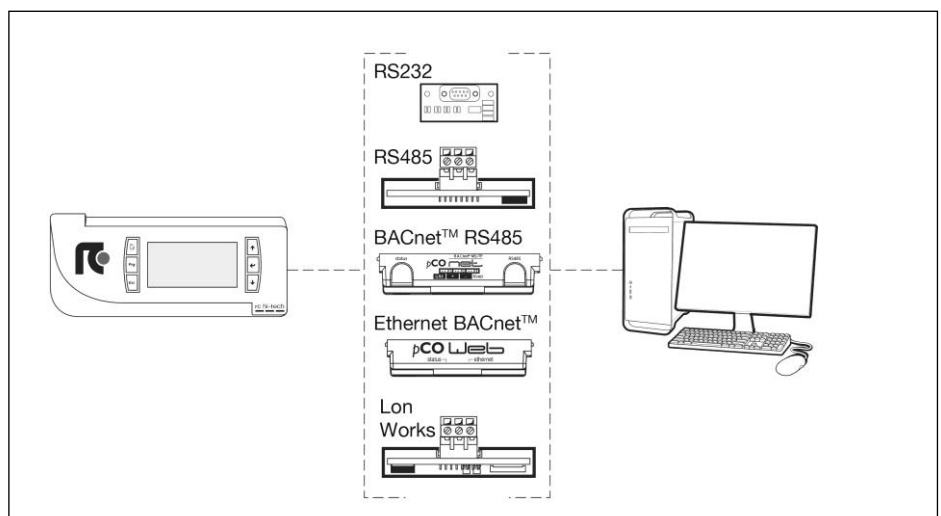
KEYBOARD FUNCTIONS

	ALARM	Alarm, Back-red light active – alarm presence, push to have alarm description. If more than one alarm(s), the others can be scrolled by Key UP / DOWN
	PRG	Menu list, scrolled by key UP/DOWN: Unit; Set-point; In/Out; Clock; History; User; Service; Factory. Use the ENTER key to execute the mode.
	ESC	Home. Used to come back to the previous menu level or to the main screen.
	UP DOWN	Used to change the pages and values of sets. When display is in main screen (HOME), pressing one of them (UP/DOWN) will display the synoptic of the main controls.
	ENTER	Moving the cursor on adjustable Program(s) fields, to confirm the changes, press the key (ENTER) to get out of the fields.

CONNECTIVITY

Through the optional serial port, the microprocessor control enables communication with the modern buildings BMS systems with the following protocols:

- MBUS/JBUS (RS485) serial card;
- MBUS/JBUS (RS232) for GSM modem serial card;
- LON Works serial card;
- BACnet per Ethernet – SNMP – TCP/IP serial card;
- BACnet per MS/TP serial card;



PASSWORD

Level 1: On request of the End User. Allowing to reach USER menu
 Level 2: Asks to MEHITS Service: Allowing to reach SERVICE menu
 Level 3: Asks to MEHITS Service: Allowing to reach FACTORY menu

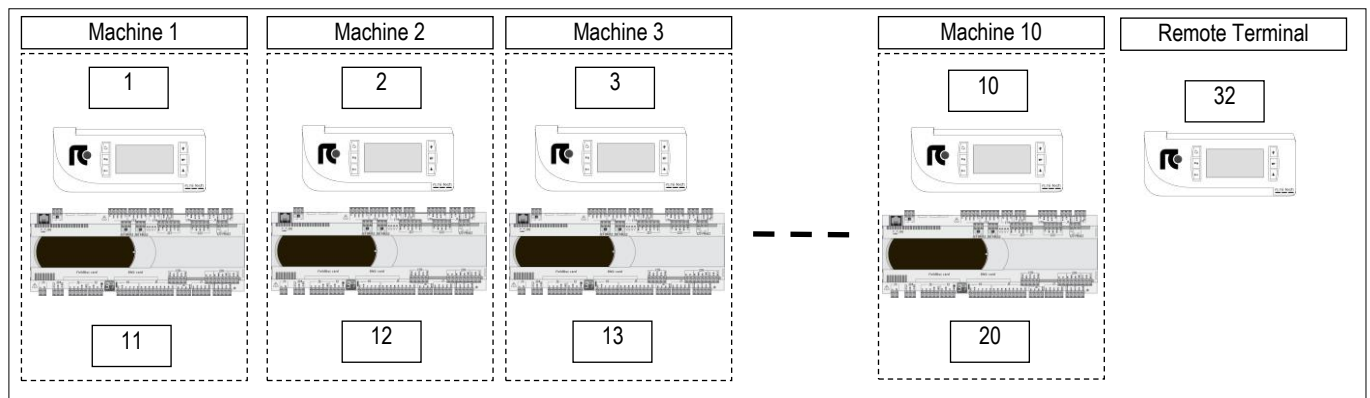
No passwords request to enter: UNIT, SETPOINT, IN/OUT, CLOCK, HISTORY menu

LAN NETWORK

The LAN is part of the control software and it is possible to connect up to 10 units.
 This type of connection allows to control the units in coherent way, moreover the units can be controlled and managed from a shared remote terminal.
 Electrical connections are on electrical panel connecting terminals.

LAN ADDRESS LIST

Unit #	1	2	3	4	5	6	7	8	9	10	Remote Terminal
Terminal address	1	2	3	4	5	6	7	8	9	10	32
Mother board address	11	12	13	14	15	16	17	18	19	20	-



The unit connection to the local network (LAN) allows to perform the following functions:

- Balancing the operating hours among the different units by rotating the reserve units (Stand-by)
- Turning on the reserve units in case other units should turn off due to an alarm, maintenance or power feed interruption
- Turning on reserve units to offset the excessive thermal load
- Checking up to 10 units with a single user terminal (shared user terminal)

OPTIONAL ACCESSORIES – DOUBLE POWER SUPPLY WITH AUTOMATIC TRANSFER SWITCH



The optional is not compatible with “oversized electric heaters” and “oversized humidifier” optional accessories.

The motorised changeover switches automatically manage changeover under load between two three-phase power supplies, or manually for emergency operations.

These transfer switching (TSE) devices are suitable for low voltage systems with interruption of the supply to the load during transfer.

The model supplied in the automatic version checks the source and switches over automatically, based on configurable parameters.

OPEN TRANSITION TYPE TRANSFER SWITCH WITH A MINIMUM INTERRUPTION OF THE SUPPLY DURING TRANSFER.

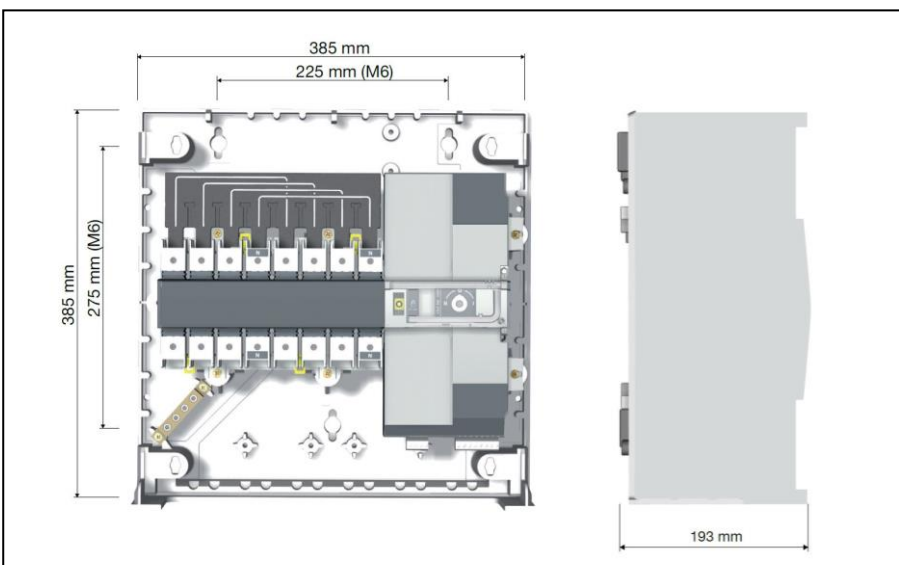
To maintain the microprocessor powered and avoid its restarts is mandatory to foresee the installation of the “temporary microprocessor power supply” optional accessory. The system guarantees the microprocessor power supply for a few minutes, in case of supply voltage failure.

The remote condenser must be powered by the automatic transfer switch. The installation of “Electrical power supply for remote condenser from the indoor machine electrical board” optional accessory is requested.

ATS INSTALLATION

Frame	Power Supply	ATS Installation
E1	400/3/50+N	EXTERNAL, supplied in kit
E2	400/3/50+N	EXTERNAL, supplied in kit
E3	400/3/50+N	EXTERNAL, supplied in kit
E4	400/3/50+N	EXTERNAL, supplied in kit
E5	400/3/50+N	INTERNAL (on unit electrical panel)
E6	400/3/50+N	INTERNAL (on unit electrical panel)
E7	400/3/50+N	INTERNAL (on unit electrical panel)
E8	400/3/50+N	INTERNAL (on unit electrical panel)
E9	400/3/50+N	INTERNAL (on unit electrical panel)

For EXTERNAL installation, ATS is supplied in special box with IP 3X ingress protection, with the dimensions shown in the figure below.



OPTIONAL ACCESSORIES – NETWORK ANALYZER



The optional is installed within the electrical box downstream the main switch with door safety lock:

- Network transducer;
- Current transformers, one for each power supply phase cable.

This device provides continuous measurement of power consumption, monitoring current, voltage and power. These values are sent to unit microprocessor via RS485 serial cable, as shown on the unit wiring diagram.

The displayed variables are:

- Phase to phase voltage, only for three-phase units;
- Phase voltage (phase-neutral);
- Phase current;
- Neutral current only for three-phase units;
- Active phase power, only for three-phase units;
- Total active power;
- Active energy;
- Hour counts

OPTIONAL ACCESSORIES – FIRE / SMOKE SENSORS

Is possible to install one or both of the following sensors. Sensors are supplied in mounting kit. Installation within the room at customer care.

SMOKE DETECTOR

The optical smoke detector senses the presence of combustion by-products (visible smoke) and activates an alarm.

The operating principle is based on the light scattering technique (Tyndall effect).

The device is in conformity to EN 54-7 standard.



Technical features:

Material	ABS
Power supply	12...28 Vdc
Normal current	50µA a 24 Vdc
Alarm current	25mA a 24 Vdc
LED visibility	360° (double led)
Storage temperature	-10...+70°C
Operating temperature	-10...+70°C
Max. speed air	0,2 m/s
Relative humidity	<93% not-condensing
Index of protection	IP 20
Testing by magnet	Yes
Relay	max. 1A 30Vdc
Signal repeater	14mA a 24 Vdc
Sensor coverage:	40m ² max
Shielded connection cable	sez. min 0,5 mm ²
Colour	White

WARNING:

For correct detector operation, periodical maintenance must be performed.



HEAT DETECTOR

The heat detector has been designed to identify temperatures at which fires may start. When the temperature exceeds the set threshold or when there is a rapid variation in temperature, the relay is activated to signal an alarm.

The device is in conformity to EN 54-5 standard.

Technical features:

Material	ABS
Power supply	12...28 Vdc
Normal current	50µA a 24 Vdc
Alarm current	25mA a 24 Vdc
LED visibility	360° (double LED)
Storage temperature	-10...+70°C
Operating temperature	-10...+70°C
Relative humidity	<93% non-condensing
Index of protection	IP 20
Testing by magnet	Yes
Relay	max. 1A 30Vdc
Signal repeater	14mA a 24 Vdc
Alarm temperature threshold	62°C
Sensor coverage:	40m ² max
Shielded connection cable	min 0.5 mm ²
Colour	White

WARNING:

For correct detector operation, periodical maintenance must be performed.

OPTIONAL ACCESSORIES - CONDENSATE DISCHARGE PUMP



A plastic case contains the vertical type pump, the water tank with float plus safety switch and hydraulic and electric connection.

Together the pump 10 linear meters anti-crushing plastic discharge spiral tube is supplied. The optional must be installed as shown in the documentation delivered together with the unit.

Wiring includes power supply and an alarm, displayed on microprocessor, that includes motor pump thermal protection and tank overflow.

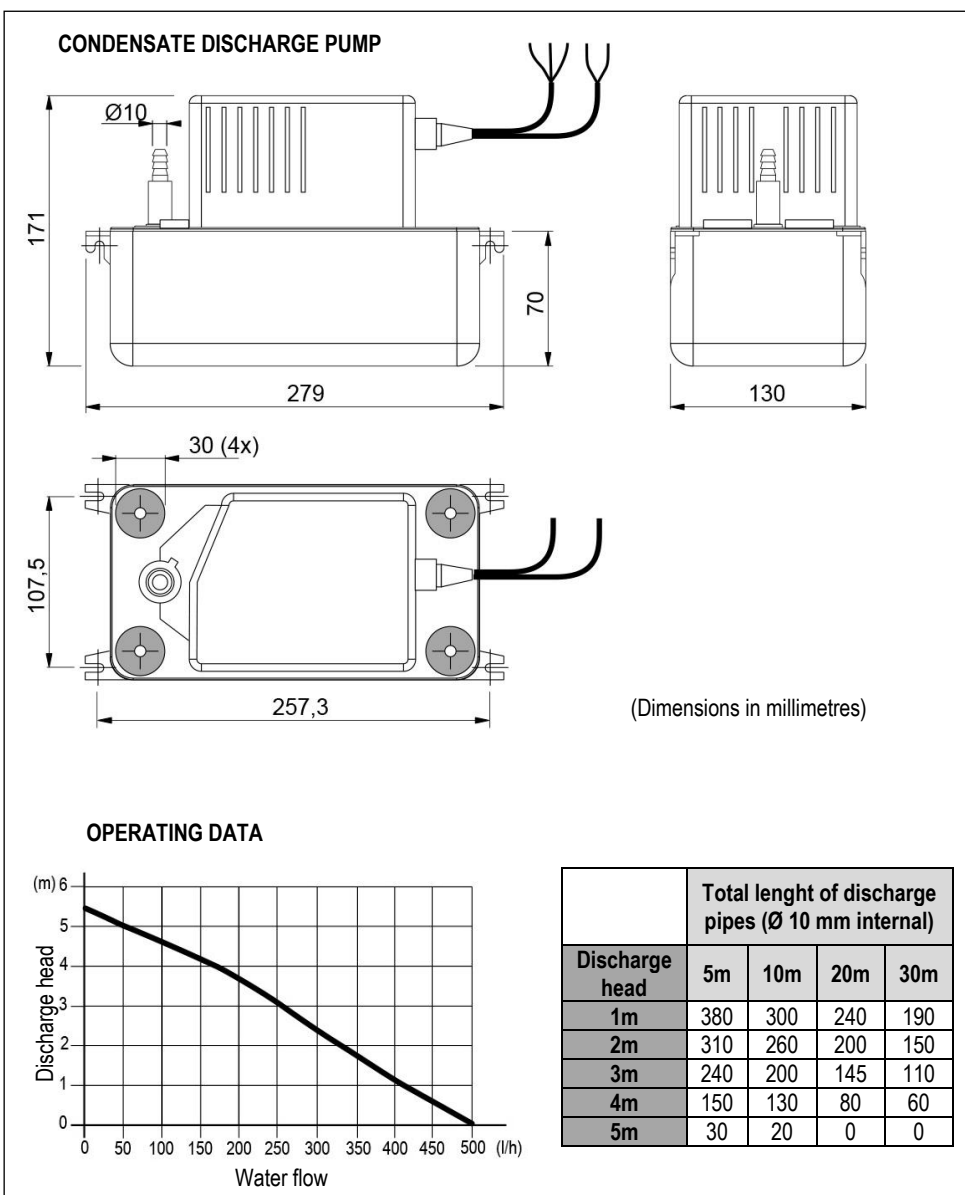
The condensate discharge pump operation is fully automatic.

WARNING

For all the machines the optional accessory is supplied in mounting kit.

TECHNICAL DATA

Power supply: 230V~ 50Hz
 Electrical data: 70W – 0,67A
 Maximum water flow: 500 l/h
 Maximum delivery height: 5.0 m
 Sound level: 45dBA a 1 m
 Maximum water temperature: 70°C
 Water acidity: pH>2.5
 Tray volume: 2.0 l
 Protection IP 20



OPTIONAL ACCESSORIES – MODULATING STEAM HUMIDIFIER



Modulating steam humidifier with immersed electrodes fitted with safety and running accessories. The optional includes the combined temperature / humidity sensor on unit air intake. The accessory is factory installed and requires water filling connection.

Humidifier water charge and discharge pipes are not supplied.

It is recommended to install a filter and a shut-off valve on the pipe to the water inlet.

This humidifier produces non-pressurized steam by electrodes immersed in the water inside the cylinder: they bring the electric phase in the water that works as an electrical resistance and overheats. The steam so produced is distributed with dedicated distributors and used for ambient humidification or for industrial processes.

CHARACTERISTICS OF THE SUPPLY WATER

The quality of the used water influences the evaporation process, so the humidifier can be fed with **not-treated water, only when potable and non-demineralised.**

LIMIT VALUES

		Min	Max
Hydrogen ions	pH	7	8,5
Specific conductivity at 20°C	$\sigma_{R, 20^\circ C}$ $\mu S/cm$	300	1250
Total dissolved solids	TDS mg/l	(1)	(1)
Dry residue at 180°C	R ₁₈₀ mg/l	(1)	(1)
Total hardness	TH mg/l CaCO ₃	100 (2)	400
Temporary hardness	mg/l CaCO ₃	60 (3)	300
Iron + Manganese	mg/l Fe + Mn	0	0,2
Chlorides	ppm Cl	0	30
Silica	mg/l SiO ₂	0	20
Residual chlorine	mg/l Cl ⁻	0	0,2
Calcium sulphate	mg/l CaSO ₄	0	100
Metallic impurities	mg/l	0	0
Solvents, diluents, soaps, lubricants	mg/l	0	0

(1) Values depending on specific conductivity;

in general: TDS $\cong 0,93 * \sigma_{R, 20^\circ C}$; R₁₈₀ $\cong 0,65 * \sigma_R$

(2) Not lower than 200% of the chloride content in mg/l di Cl⁻

(3) Not lower than 300% of the chloride content in mg/l di Cl⁻

WARNING:

- No relation can be demonstrated between water hardness and conductivity.
- **Do not treat water with softeners!** This could cause corrosion of the electrodes or the formation of foam, leading to potential operating problems or failures.
- Do not add disinfectants or corrosion inhibitors to water, as these substances are potentially irritant.
- Is absolutely forbidden to use well water, industrial water or water drawn from cooling circuits; in general, avoid using potentially contaminated water, either from a chemical or bacteriological point of view

TECHNICAL DATA HUMIDIFIER – w-NEXT HD S Under

MODEL		015	024	041	048	060	072	090	110	122	146
SIZE		E1	E2	E3	E3P	E4	E5	E6	E7	E8	E9
VAPOUR PRODUCTION	kg/h	3,0	3,0	3,0	3,0	8,0	8,0	8,0	15,0	15,0	15,0
Power input	kW	2,3	2,3	2,3	2,3	6	6	6	11,3	11,3	11,3
Absorbed current (OA)	A	3,2	3,2	3,2	3,2	8,7	8,7	8,7	16,2	16,2	16,2
Max absorbed current (FLA)	A	4,5	4,5	4,5	4,5	12,4	12,4	12,4	23	23	23
Water content	l	3,9	3,9	3,9	3,9	6,4	6,4	6,4	10,3	10,3	10,3
Max water supply pressure	Bar	1÷8	1÷8	1÷8	1÷8	1÷8	1÷8	1÷8	1÷8	1÷8	1÷8
NET WEIGHT (1)	kg	4	4	4	4	10	12	14	16	18	18
HYDRAULIC CONNECTION											
WATER INLET - ISO 228/1 – G M	Ø	3/4"	3/4"	3/4"	3/4"	3/4"	3/4"	3/4"	3/4"	3/4"	3/4"
WATER OUTLET - external diameter	Ø mm	19	19	19	19	19	19	19	19	19	19

1. Value to be added to the weight of the standard unit. Does not include the weight of the water content.

TECHNICAL DATA HUMIDIFIER – w-NEXT HD K Under

MODEL		015	024	041	048	060	072	090	110	122	146	170
SIZE		E1	E2	E3	E3P	E4	E5	E6	E7	E8	E9	E10
VAPOUR PRODUCTION	kg/h	3,0	3,0	3,0	3,0	8,0	8,0	8,0	15,0	15,0	15,0	15,0
Power input	kW	2,3	2,3	2,3	2,3	6,0	6,0	6,0	11,3	11,3	11,3	11,3
Absorbed current (OA)	A	3,2	3,2	3,2	3,2	8,7	8,7	8,7	16,2	16,2	16,2	16,2
Max absorbed current (FLA)	A	4,5	4,5	4,5	4,5	12,4	12,4	12,4	23	23	23	23
Water content	l	3,9	3,9	3,9	3,9	6,4	6,4	6,4	10,3	10,3	10,3	10,3
Max water supply pressure	Bar	1÷8	1÷8	1÷8	1÷8	1÷8	1÷8	1÷8	1÷8	1÷8	1÷8	1÷8
NET WEIGHT (1)	kg	4	4	4	4	10	10	10	18	18	18	18
HYDRAULIC CONNECTION												
WATER INLET - ISO 228/1 – G M	Ø	3/4"	3/4"	3/4"	3/4"	3/4"	3/4"	3/4"	3/4"	3/4"	3/4"	3/4"
WATER OUTLET - external diameter	Ø mm	19	19	19	19	19	19	19	19	19	19	19

1. Value to be added to the weight of the standard unit. Does not include the weight of the water content.

HUMIDIFIER OVERSIZED

The optional is not available for sizes E1, E2, E3, E7, E8, E9, E10.
On request it is possible to install the oversized humidifiers.
The components are the same standard accessory

TECHNICAL DATA OVERSIZED HUMIDIFIER – w-NEXT HD S Under

MODEL		015	024	041	048	060	072	090	110	122	146
SIZE		E1	E2	E3	E3P	E4	E5	E6	E7	E8	E9
VAPOUR PRODUCTION	kg/h	-	-	-	8,0	15,0	15,0	15,0	-	-	-
Power input	kW	-	-	-	6,0	11,3	11,3	11,3	-	-	-
Absorbed current (OA)	A	-	-	-	8,7	16,2	16,2	16,2	-	-	-
Max absorbed current (FLA)	A	-	-	-	12,4	23	23	23	-	-	-
Water content	l	-	-	-	6,4	10,3	10,3	10,3	-	-	-
Max water supply pressure	Bar	-	-	-	1÷8	1÷8	1÷8	1÷8	-	-	-
NET WEIGHT (1)	kg	-	-	-	10	16	16	16	-	-	-
HYDRAULIC CONNECTION											
WATER INLET - ISO 228/1 – G M	Ø	-	-	-	3/4"	3/4"	3/4"	3/4"	-	-	-
WATER OUTLET - external diameter	Ø mm	-	-	-	19	19	19	19	-	-	-

1. Value to be added to the weight of the standard unit. Does not include the weight of the water content.

TECHNICAL DATA OVERSIZED HUMIDIFIER – w-NEXT HD K Under

MODELLO		015	024	041	048	060	072	090	110	122	146	170
GRANDEZZA		E1	E2	E3	E3P	E4	E5	E6	E7	E8	E9	E10
PRODUZIONE VAPORE	kg/h	-	-	-	8,0	15,0	15,0	15,0	-	-	-	-
Potenza impegnata	kW	-	-	-	6,0	11,3	11,3	11,3	-	-	-	-
Corrente assorbita (OA)	A	-	-	-	8,7	16,2	16,2	16,2	-	-	-	-
Max corrente assorbita (FLA)	A	-	-	-	12,4	23	23	23	-	-	-	-
Contenuto d'acqua	l	-	-	-	6,4	10,3	10,3	10,3	-	-	-	-
Max pressione acqua alimentazione	Bar	-	-	-	1÷8	1÷8	1÷8	1÷8	-	-	-	-
PESO NETTO (1)	kg	-	-	-	10	18	18	18	-	-	-	-
CONNESSIONI IDRAULICHE												
INGRESSO ACQUA - ISO 228/1 – G M	Ø	-	-	-	3/4"	3/4"	3/4"	3/4"	-	-	-	-
USCITA ACQUA – diametro esterno	Ø mm	-	-	-	19	19	19	19	-	-	-	-

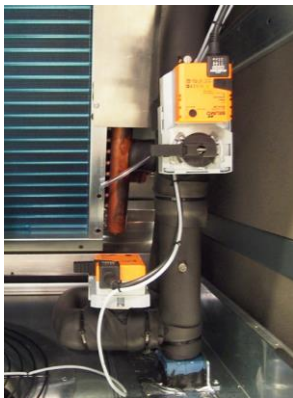
1. Value to be added to the weight of the standard unit. Does not include the weight of the water content.

OPTIONAL ACCESSORIES – DEHUMIDIFICATION SYSTEM

Components:

- Temperature / Humidity sensor on the air intake.
- Temperature sensor on cooling coil water inlet / outlet.
- Electronic control system of the dew point temperature for the combined intervention of cooling capacity and air flow.

OPTIONAL ACCESSORIES – 2-WAY VALVE FOR BY-PASS



The optional is not available for size E10.

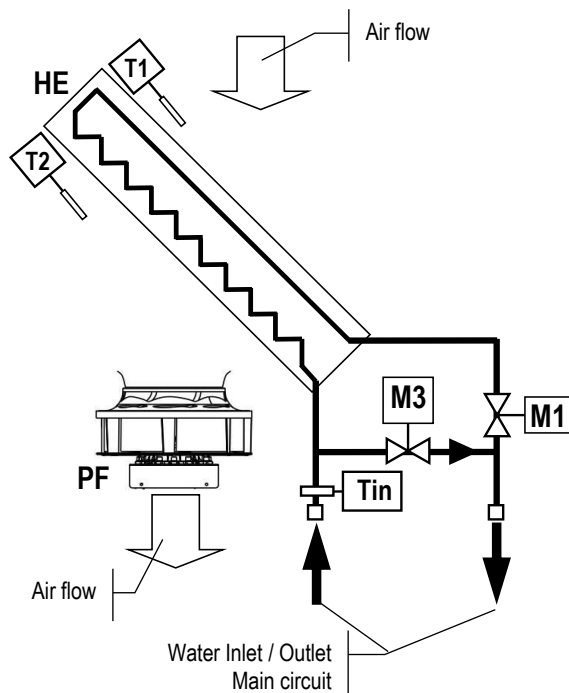
2-way motorized valve with 0÷10 VDC control actuator and emergency manual control for the third way (by-pass) of the hydraulic circuit.

The valve is in combination with the main 2-way water flow control valve.

The optional accessory is factory installed and don't modify the overall dimensions of the unit.

The coupling to the main 2-way control valve of a second modulating valve, connected in by-pass, allows to obtain the same control system of a 3-way mixing valve for plant with constant water flow. At the same time the appropriate sizing of these valves allows hydraulic balancing of the by-pass way.

UNDER Version



LEGENDA

- M1 2-way modulating valve for main coil
- M3 2-way modulating valve for by-pass
- HE Main coil
- PF Plug Fan.
- T1 Air return temperature probe
- T2 Air supply temperature probe
- Tin Chilled water inlet temperature probe

TECHNICAL DATA – 2-WAY VALVE FOR BY-PASS – w-NEXT HD Under

MODEL	015	024	041	048	060	072	090	110	122	146	170	
SIZE	E1	E2	E3	E3P	E4	E5	E6	E7	E8	E9	E10	
2-WAY VALVE FOR BY-PASS												
k_v – Flow coefficient	m ³ /h	6,3	6,3	8,6	8,6	8,6	16,0	25,0	25,0	25,0	40,0	40,0

IMPORTANT

For further information, please refer to chapter “VALVE PRESSURE DROP CALCULATION AS FUNCTION OF WATER FLOW RATE”

OPTIONAL ACCESSORIES – ELECTRIC HEATERS



Electric heater consisting of finned aluminum elements, ensuring low surface temperature and deleting the air ionization problems. The optional is installed downstream the main cooling coil.

In electric heaters with three working steps the activation is binary type.

Components:

- Electric heater in aluminium armoured elements with integral fins
- Electrical control
- Safety thermostat.

TECHNICAL DATA ELECTRIC HEATERS – w-NEXT HD S Under

MODEL		015	024	041	048	060	072	090	110	122	146
SIZE		E1	E2	E3	E3P	E4	E5	E6	E7	E8	E9
THERMAL CAPACITY	kW	6,0	6,0	6,0	6,0	9,0	12,0	12,0	12,0	18,0	18,0
Absorbed current (OA)	A	8,7	8,7	8,7	8,7	13,0	17,3	17,3	17,3	26,0	26,0
First working step	kW	6,0	6,0	3,9	3,9	3,0	4,2	4,2	4,2	6,0	6,0
Second working step	kW	-	-	6,0	6,0	6,0	7,8	7,8	7,8	12,0	12,0
Third working step	kW	-	-	-	-	3,0+6,0	4,2+7,8	4,2+7,8	4,2+7,8	6,0+12,0	6,0+12,0
NET WEIGHT (1)	kg	5	8	10	13	15	18	21	23	25	30

1. Value to be added to the weight of the standard unit.

TECHNICAL DATA ELECTRIC HEATERS – w-NEXT HD K Under

MODEL		015	024	041	048	060	072	090	110	122	146	170
SIZE		E1	E2	E3	E3P	E4	E5	E6	E7	E8	E9	E10
THERMAL CAPACITY	kW	6,0	6,0	6,0	6,0	9,0	12,0	12,0	12,0	18,0	18,0	27,0
Absorbed current (OA)	A	8,7	8,7	8,7	8,7	13,0	17,3	17,3	17,3	26,0	26,0	39,0
First working step	kW	6,0	6,0	3,9	3,9	3,0	4,2	4,2	4,2	6,0	6,0	9,0
Second working step	kW	-	-	6,0	6,0	6,0	7,8	7,8	7,8	12,0	12,0	18,0
Third working step	kW	-	-	-	-	3,0+6,0	4,2+7,8	4,2+7,8	4,2+7,8	6,0+12,0	6,0+12,0	9,0+18,0
NET WEIGHT (1)	kg	5	8	10	13	15	18	21	23	25	30	38

ELECTRIC HEATERS OVERSIZED

On request it is possible to install the oversized electric heating system.
The components are the same standard accessory
The optional is not available for size E1, E2 and E10.

TECHNICAL DATA OVERSIZED ELECTRIC HEATERS - w-NEXT HD S Over / Under

MODEL		015	024	041	048	060	072	090	110	122	146
SIZE		E1	E2	E3	E3P	E4	E5	E6	E7	E8	E9
THERMAL CAPACITY	kW	-	-	9,0	9,0	12,0	18,0	18,0	18,0	27,0	27,0
Absorbed current (OA)	A	-	-	13,0	13,0	17,3	26,0	26,0	26,0	39,0	39,0
First working step	kW	-	-	6,0	6,0	4,2	6,3	6,3	6,3	9,0	9,0
Second working step	kW	-	-	9,0	9,0	7,8	11,7	11,7	11,7	18,0	18,0
Third working step	kW	-	-	-	-	4,2+7,8	6,3+11,7	6,3+11,7	6,3+11,7	9,0+18,0	9,0+18,0
NET WEIGHT (1)	kg	-	-	15	15	18	25	25	25	38	38

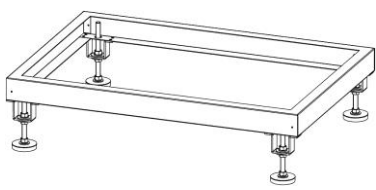
1. Value to be added to the weight of the standard unit.

TECHNICAL DATA OVERSIZED ELECTRIC HEATERS - w-NEXT HD K Under

MODEL		015	024	041	048	060	072	090	110	122	146	170
SIZE		E1	E2	E3	E3P	E4	E5	E6	E7	E8	E9	E10
THERMAL CAPACITY	kW	-	-	9,0	9,0	12,0	18,0	18,0	18,0	27,0	27,0	36,0
Absorbed current (OA)	A	-	-	13,0	13,0	17,3	26,0	26,0	26,0	39,0	39,0	52,0
First working step	kW	-	-	6,0	6,0	4,2	6,3	6,3	6,3	9,0	9,0	12,0
Second working step	kW	-	-	9,0	9,0	7,8	11,7	11,7	11,7	18,0	18,0	24,0
Third working step	kW	-	-	-	-	4,2+7,8	6,3+11,7	6,3+11,7	6,3+11,7	9,0+18,0	9,0+18,0	12,0+24,0
NET WEIGHT (1)	kg	-	-	15	15	18	25	25	25	38	38	50

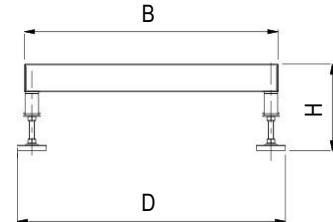
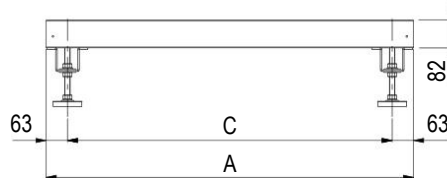
1. Value to be added to the weight of the standard unit.

OPTIONAL ACCESSORIES - FLOOR STAND

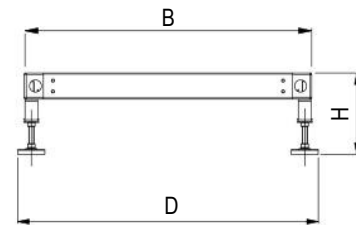
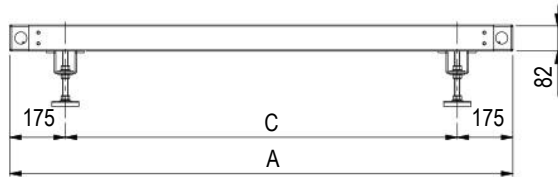


It is not possible to match the unit floor stand with plenum installed under the machine.
For a correct installation of the air conditioner we suggest you to utilize a gasket between the floor stand and the unit base.
The floor stand is available in 3 different heights.

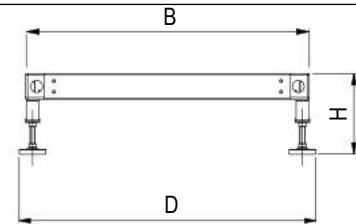
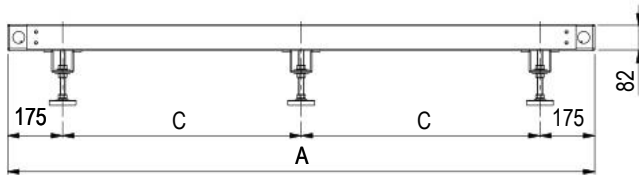
SIZE E1 – E2 – E3 – E3P



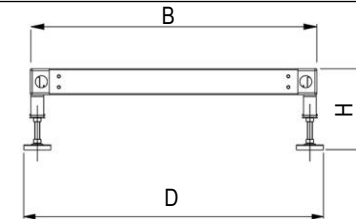
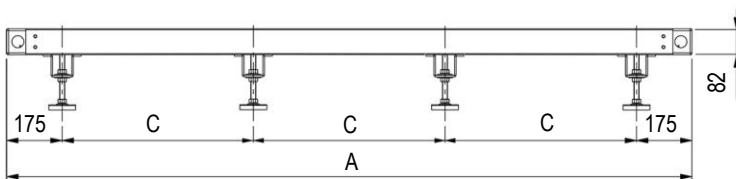
SIZE E4 – E5



SIZE E6 – E7 - E8 – E9



SIZE E10



SIZE		E1	E2	E3	E3P	E4	E5	E6	E7	E8	E9	E10
A	mm	650	785	1085	1085	1305	1630	1873	2175	2499	2899	3510
B	mm	650	650	750	905	905	905	905	905	905	905	905
C	mm	524	659	959	959	955	1280	761,5	912,5	1074,5	1274,5	1053
D	mm	691	691	791	946	945	945	945	945	945	945	945

MODEL		Hmax350	Hmax450	Hmax510
H min height	mm	255	355	400
H max height	mm	350	450	510

OPTIONAL ACCESSORIES - DOUBLE PANELS IN EUROCLASS A1

The optional is designed to supply the panels only in Euroclass A1 of reaction to fire, furthermore allows a noise insulation of the panels of the air conditioners.

The pressure level reduction of the unit is about 2 dB(A). The reduction refers ONLY to the sound level radiated from the unit or in front of the unit. The noise level data on return and delivery air do not undergo reductions.

The accessory includes:

- External part as standard panel.
- Internal part in galvanized steel sheet.
- The inside noise insulation with special soundproof material.

REACTION TO FIRE CLASSIFICATION

On Italian territory, the classification is per the D.M. of June 26, 1984 and subsequent amendments, providing for a sort in "Classes" from 0 (non-combustible material) to 5 (extremely flammable material). In Europe, the classification is regulated per UNI EN 13501-1: 2009 ordered to "Euro-classes", from A1 (non-combustible material) to F (highly flammable material).

A comparison of the Italian and European classes is not possible because the methods and evaluation criteria are completely different. The comparison table below is being considered purely indicative.

Definition	Italian classes	Euro-classes
Non-combustible material	Class 0	A1
Combustible material, very limited contribution to fire	Class 1	A2 – B
Combustible material, limited contribution to fire	Class 2	A2 – B - C
Combustible material, medium contribution to fire	Class 3	C – D
Combustible material, highly contribution to fire	Class 4	E
Combustible material, easily flammable	Class 5	F

Is possible to provide the sandwich panels for the OVER units with air flow from the top. This implies that the air intake must necessarily be from the base of the unit with front blind paneling.

The accessory increases the unit weight:

UNDER

Size		E1	E2	E3	E3P	E4	E5	E6	E7	E8	E9	E10
Weight increasing (1)	kg	30	48	55	65	70	86	110	130	145	165	195

1. Add this value to the total unit weight

OPTIONAL ACCESSORIES – M5 EFFICIENCY AIR FILTERS

The M5 air filters replace the standard one.
The filters M5 generate a pressure drops higher than the standard ones.
The filters are made of glass micro fibre and are not regenerable.

w-NEXT HD S Under

MODEL		015	024	041	048	060	072	090	110	122	146
SIZE		E1	E2	E3	E3P	E4	E5	E6	E7	E8	E9
Perdita di carico addizionale (1)	Pa	71	125	115	89	73	69	77	79	71	71

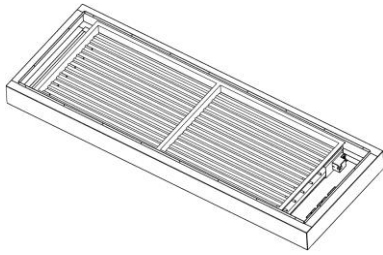
w-NEXT HD K Under

MODEL		015	024	041	048	060	072	090	110	122	146	170
SIZE		E1	E2	E3	E3P	E4	E5	E6	E7	E8	E9	E10
Perdita di carico addizionale (1)	Pa	67	122	115	89	73	69	76	78	70	72	71

1. Additional pressure drops referred to nominal air flow and clean filter.



OPTIONAL ACCESSORIES – NON- RETURN MOTORIZED DAMPER

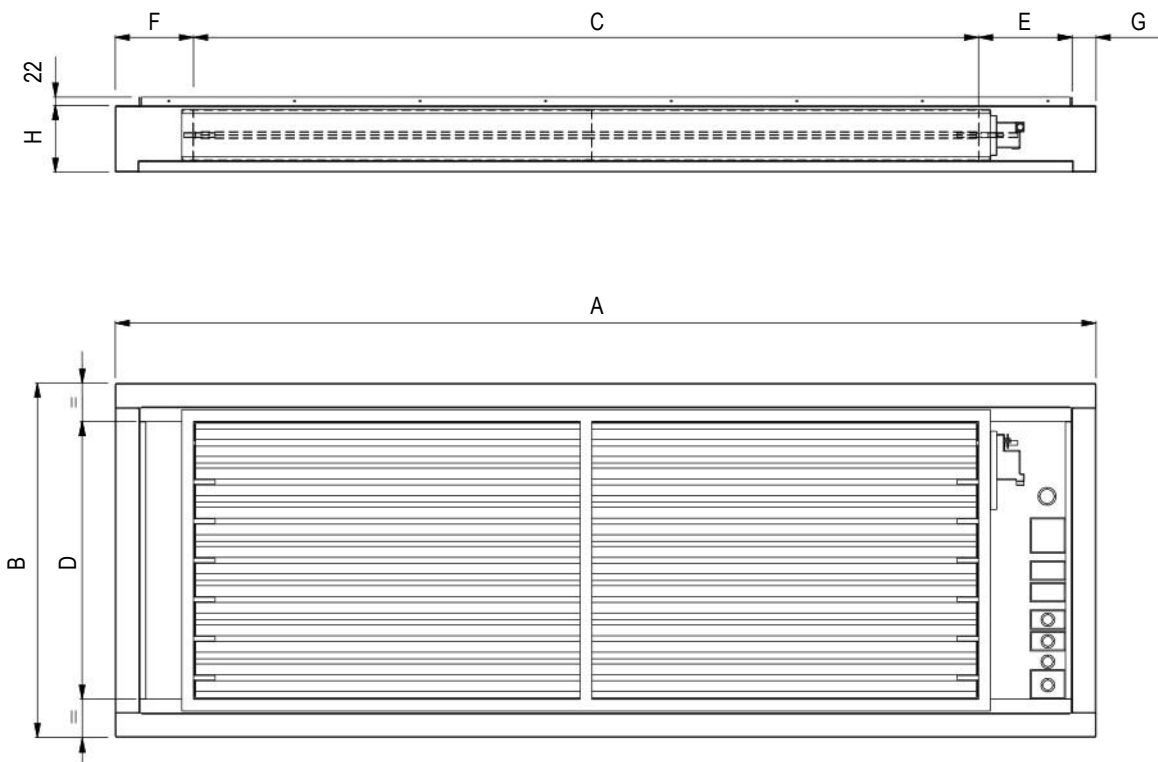


Accessory installed on units air return and it can be matched to plenums and floor stand.

FRAMEWORK

- Frame in galvanized steel sheet with protective surfaces treatment in compliance with UNI ISO 9227/ASTMB117 and ISO 7253, and painted with epoxy powders. Colour RAL 9005;
- Opposed blade dampers in galvanized steel sheet.
- Actuator for damper control.
- Terminals for electric connection to the unit.

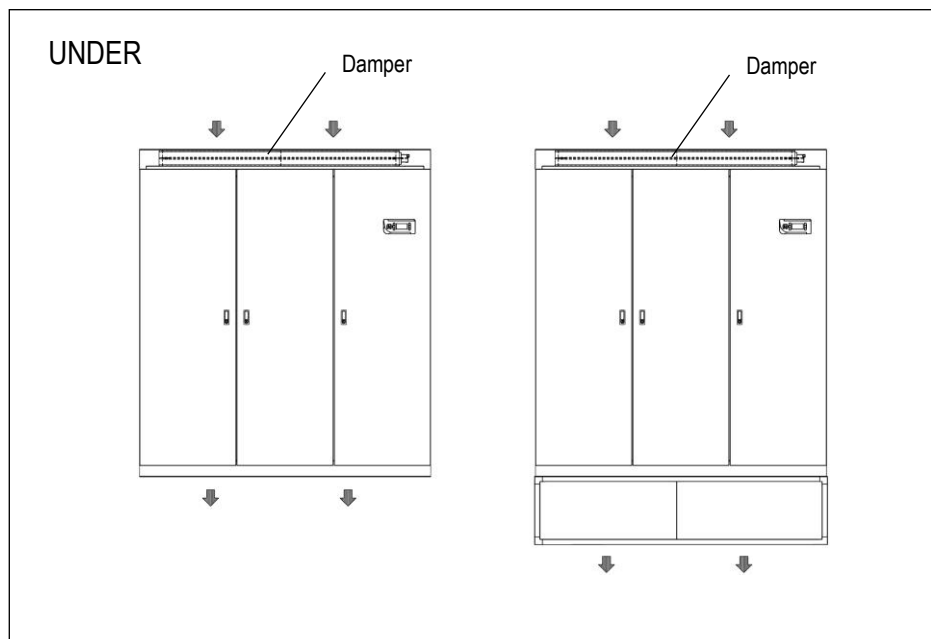
For a correct installation, we suggest you to utilize a gasket between the damper and the unit or the plenum or the floor stand.



Size		E1	E2	E3	E3P	E4	E5	E6	E7	E8	E9	E10
A	mm	650	785	1085	1085	1305	1630	1873	2175	2499	2899	3510
B	mm	650	650	750	905	905	905	905	905	905	905	905
C	mm	300	450	750	750	900	1250	1500	1750	2000	2300	2800
D	mm	510	510	610	710	710	710	710	710	710	710	710
E	mm	231	216	216	216	142	204	250,5	226,5	238,5	288,5	294
F	mm	73	73	73	73	202	115	61,5	137,5	199,5	249,5	355
G	mm	46	46	46	46	61	61	61	61	61	61	61
H	mm	170	170	170	170	170	170	170	170	170	170	170
Weight (1)	kg	20	23	30	35	40	50	58	65	75	90	115

1. Add this value to the total unit weight

INSTALLATION EXAMPLE

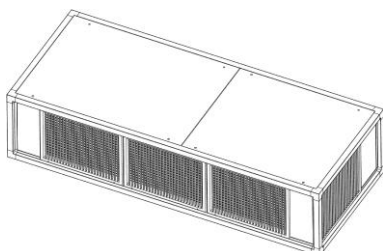
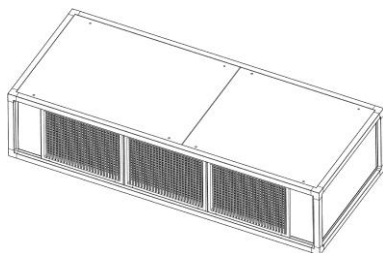
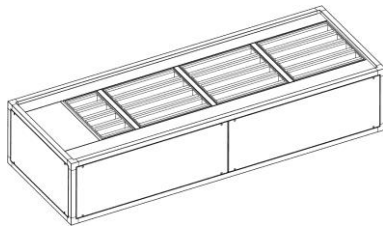
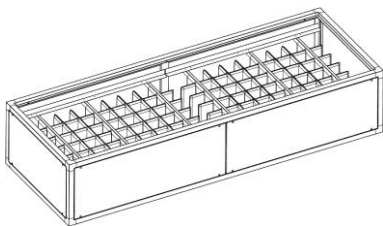
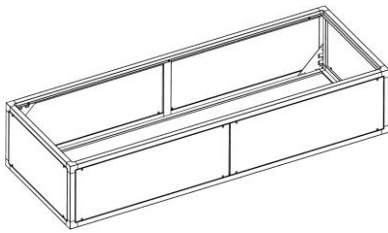


WORKING LOGIC

The damper opens at supply fans activation to allow air flow.

When the fans stop for failure or stop command, the damper closes, preventing air flow into the unit.

OPTIONAL ACCESSORIES - PLENUM ON AIR DELIVERY/RETURN



The plenums can be used for version Under, both on supply and return air.
The plenums have same technical characteristics and dimensions of the machine cabinet.

It is possible to install only a single plenum to ensure stability to the unit.

FRAMEWORK

- Frame in aluminium extrusion, painted with epoxy powders. Colour RAL 9005;
- Panels in galvanized steel sheet with protective surfaces treatment in compliance with UNI ISO 9227/ASTMB117 and ISO 7253, and painted with epoxy powders. Colour RAL 9005;
- Panels insulated with polyurethane foam and seals to ensure air tight.
- Panels fixed with screws.
- Removable panels.
- Set of fixing elements to fasten the plenum to the unit.

Type of plenum:

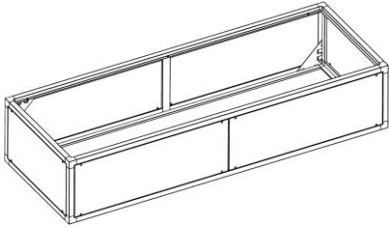
- Empty plenum. Available in Euroclass A1.
- Plenum with noise absorption partitions
- Plenum with high efficiency filters.
- Plenum with frontal grille. Available in Euroclass A1.
- Plenum with frontal and lateral grilles. Available in Euroclass A1.
- Plenum with frontal grille and noise absorption partitions

WARNING

In UNDER version units the hydraulic piping is inside the machine.

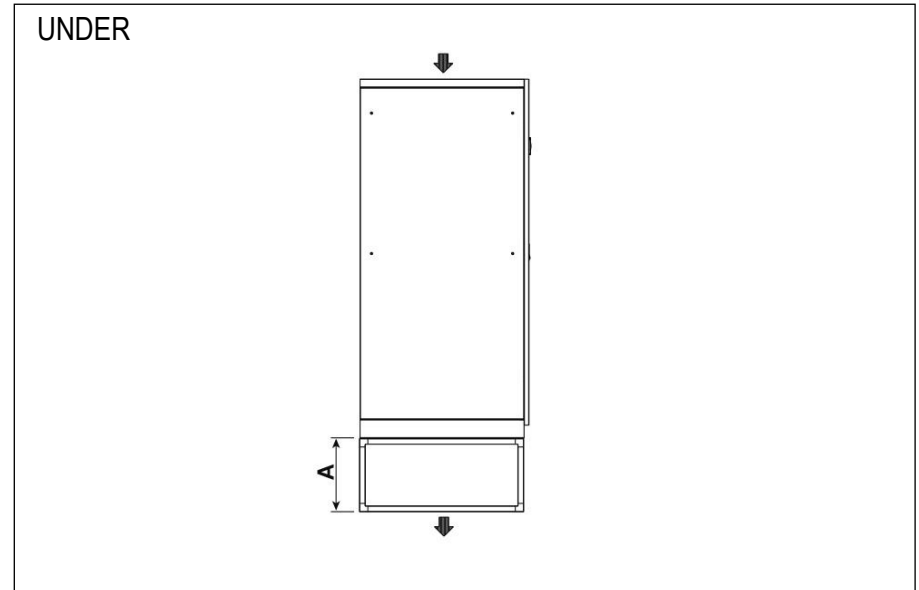
The air delivery plenums sometime don't allow the extension of the pipes downwards.

In special cases, to keep the connections inside the machine, foresee a plenum 200mm higher than the standard one.



EMPTY PLENUM

The plenum is void and can be used to rise the return air inlet/outlet.
Remove the frontal panels for inspection.



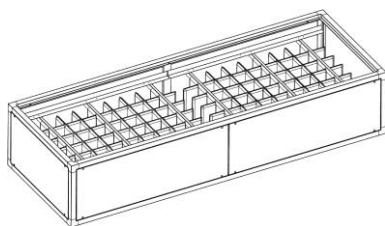
SIZE		E1	E2	E3	E3P	E4	E5	E6	E7	E8	E9	E10
A	mm	490	490	490	510	510	510	510	510	510	510	510
Weight (1)	kg	20	21	20	25	30	40	45	50	60	70	78

1. Add this value to the total unit weight

EMPTY PLENUM REACTION TO FIRE – EUROCLASS A1

SIZE		E1	E2	E3	E3P	E4	E5	E6	E7	E8	E9	E10
A	mm	490	490	490	510	510	510	510	510	510	510	510
Weight (1)	kg	25	27	27	33	39	50	56	62	74	85	96

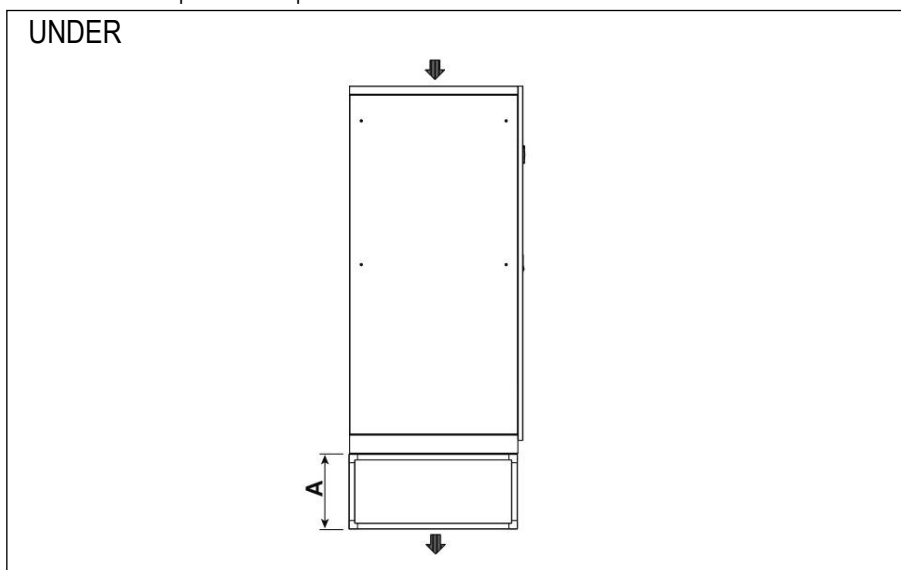
1. Add this value to the total unit weight



PLENUM ON AIR DELIVERY WITH NOISE ABSORPTION PARTITIONS

The plenum is fitted with noise absorption partitions to reduce the noise emission.

Remove the frontal panels for inspection.



SIZE		E1	E2	E3	E3P	E4	E5	E6	E7	E8	E9	E10
A	mm	490	490	490	510	510	510	510	510	510	510	510
Weight (1)	kg	25	27	30	36	45	50	65	80	90	100	120

1. Add this value to the total unit weight

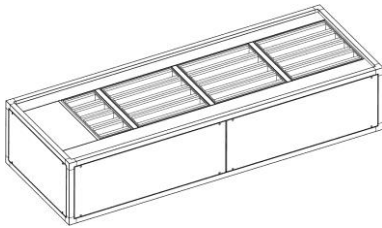
w-NEXT HD S

MODEL		015	024	041	048	060	072	090	110	122	146	
SIZE		E1	E2	E3	E3P	E4	E5	E6	E7	E8	E9	
NOISE LEVEL (1)												
On air delivery Under	dB(A)	63,2	71,5	73,4	74,0	75,5	76,1	76,4	76,8	78,9	78,7	
On air intake Under	dB(A)	57,0	61,8	63,4	65,6	67,1	66,2	68,0	68,4	69,0	70,3	
On front side Under	dB(A)	47,7	52,3	53,9	56,1	57,6	56,6	58,6	59,0	59,4	60,9	
Additional pressure drops (2)	Pa	31	62	54	58	69	67	76	81	71	75	
Air flow	m ³ /h	3100	5300	8300	10500	13400	16800	20500	24300	26500	31500	

w-NEXT HD K

MODEL		015	024	041	048	060	072	090	110	122	146	170
SIZE		E1	E2	E3	E3P	E4	E5	E6	E7	E8	E9	E10
NOISE LEVEL (1)												
On air delivery Under	dB(A)	63,2	70,8	72,8	74,0	75,2	76,1	76,4	77,0	78,9	78,7	78,8
On air intake Under	dB(A)	57,1	61,0	62,9	65,6	66,8	66,2	68,0	68,6	69,0	70,3	70,4
On front side Under	dB(A)	47,8	51,6	53,3	56,1	57,4	56,6	58,6	59,1	59,4	60,9	60,9
Additional pressure drops (2)	Pa	28	45	50	57	68	64	73	79	71	75	112
Air flow	m ³ /h	3100	5100	8300	10500	13200	16800	20500	24300	26500	31500	36000

1. Noise pressure level at 1 meter in free field – ISO 3744
2. Value to be subtracted from the nominal external static pressure of the unit.



PLENUM ON AIR DELIVERY WITH HIGH EFFICIENCY FILTERS

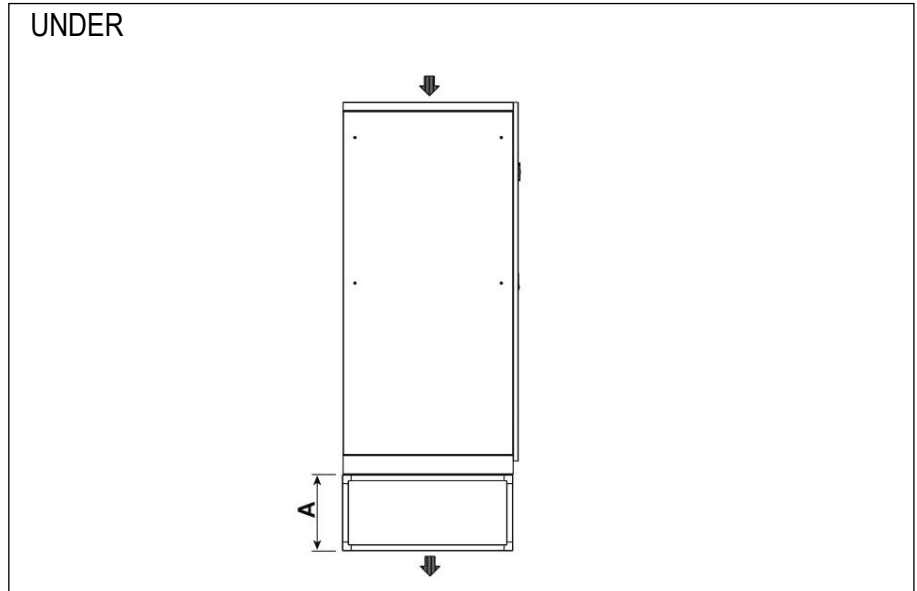
The optional is not available for size E0.

The plenum must be installed on air delivery.

The plenum is fitted with high efficiency rigid bag filters.

Filters are made of glass micro fibre and are not regenerable.

Remove the frontal panels for filters replacement.



SIZE		E1	E2	E3	E3P	E4	E5	E6	E7	E8	E9	E10
A	m	490	490	490	510	510	510	510	510	510	510	510
Weight (1)	kg	26	27	30	33	45	55	65	80	90	100	120

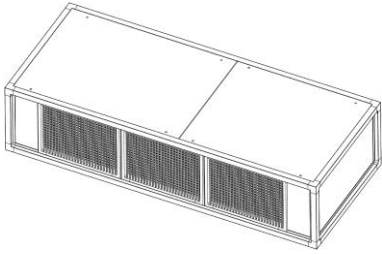
w-NEXT HD S PRESSURE DROPS (2)

		E1	E2	E3	E3P	E4	E5	E6	E7	E8	E9
Filters M6	Pa	85	171	172	146	148	161	195	167	141	167
Filters F7	Pa	105	209	211	178	181	197	239	204	173	204
Filters F9	Pa	126	254	256	216	220	239	289	248	209	248

w-NEXT HD K PRESSURE DROPS (2)

		E1	E2	E3	E3P	E4	E5	E6	E7	E8	E9	E10
Filters M6	Pa	80	167	172	145	148	161	194	166	140	167	114
Filters F7	Pa	98	205	211	178	181	197	237	203	172	204	161
Filters F9	Pa	119	249	256	215	220	239	289	247	208	248	195

1. Add this value to the total unit weight
2. Data referred to the nominal air flow and clean filters. Value to be subtracted from the nominal external static pressure of the unit.

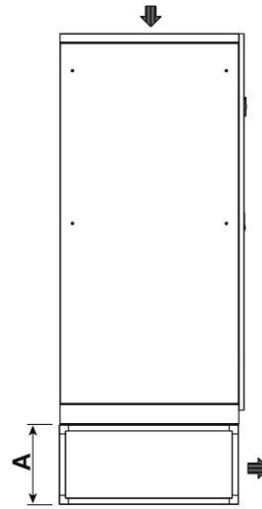


PLENUM ON AIR DELIVERY WITH FRONTAL GRILLE

The plenum allows the frontal air distribution directly into the room.

The plenum is supplied with air distribution grille with double row adjustable grilles on front side.

UNDER



SIZE		E1	E2	E3	E3P	E4	E5	E6	E7	E8	E9	E10
A	mm	490	490	490	510	510	510	510	510	510	510	510
Weight (1)	kg	23	26	28	34	39	50	65	75	90	110	130

1. Add this value to the total unit weight

PLENUM ON AIR DELIVERY WITH FRONTAL GRILLE REACTION TO FIRE – EUROCLASS A1

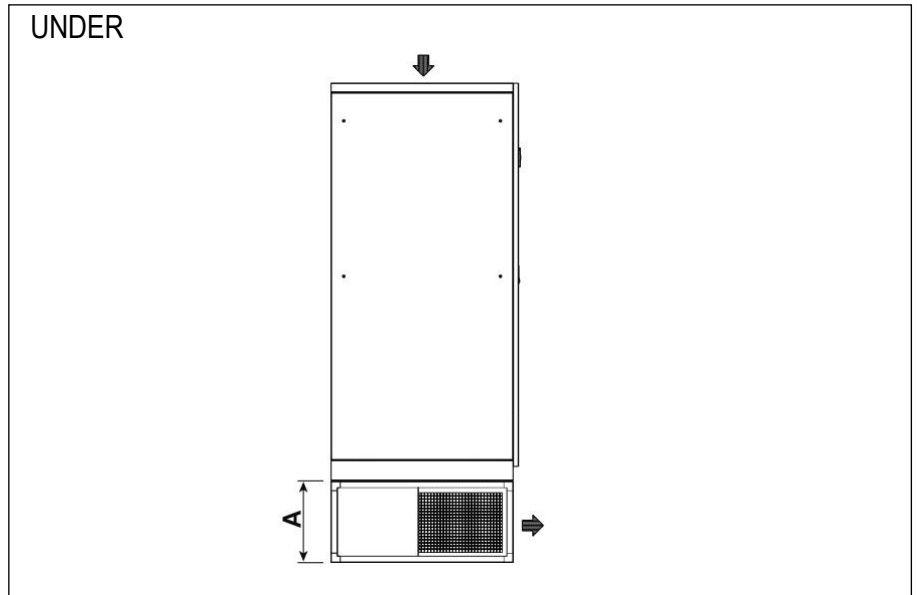
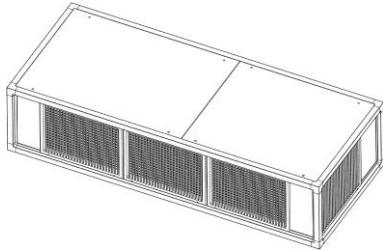
SIZE		E1	E2	E3	E3P	E4	E5	E6	E7	E8	E9	E10
A	mm	490	490	490	510	510	510	510	510	510	510	510
Weight (1)	kg	29	32	36	44	50	63	79	91	108	130	153

1. Add this value to the total unit weight

PLENUM ON AIR DELIVERY WITH FRONTAL AND LATERAL GRILLES

The plenum allows the air distribution directly into the room.

The plenum is supplied with air distribution grilles with double row adjustable grilles on front and lateral side.



SIZE		E1	E2	E3	E3P	E4	E5	E6	E7	E8	E9	E10
A	mm	490	490	490	510	510	510	510	510	510	510	510
Weight (1)	kg	21	23	30	36	45	50	65	75	90	100	120

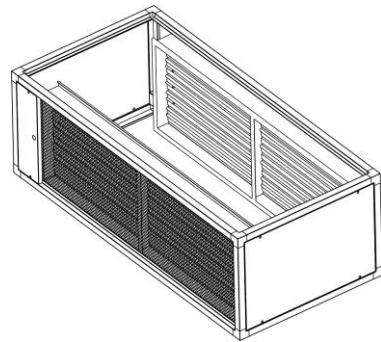
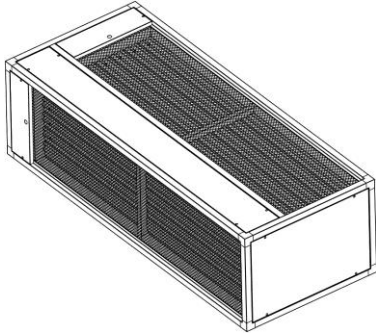
1. Add this value to the total unit weight

PLENUM ON AIR DELIVERY WITH FRONTAL AND LATERAL GRILLES REACTION TO FIRE – EUROCLASS A1

SIZE		E1	E2	E3	E3P	E4	E5	E6	E7	E8	E9	E10
A	mm	490	490	490	510	510	510	510	510	510	510	510
Weight (1)	kg	25	28	37	44	54	61	77	89	106	118	142

1. Add this value to the total unit weight

OPTIONAL ACCESSORIES – DIRECT FREE-COOLING PLENUM



The optional is not available for size E0.

The plenums have same technical characteristics and base dimensions of the machine cabinet.

The optional allow to obtain free-cooling by direct ambient air intake into the room.

The dampers are proportionally managed by the microprocessor control, that regulates the quantity of the ambient air to put in the room according to the set-point.

COMPONENTS

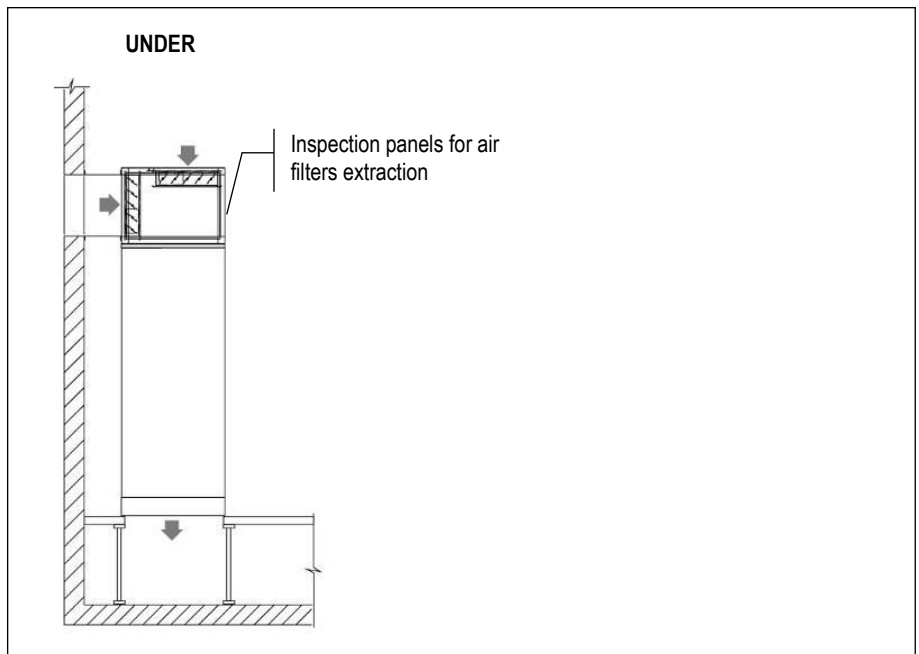
- Frame in aluminium extrusion, painted with epoxy powders. Colour RAL 9005;
- Panels in galvanized steel sheet with protective surfaces treatment in compliance with UNI ISO 9227/ASTMB117 and ISO 7253, and painted with epoxy powders. Colour RAL 9005;
- Panels insulated with polyurethane foam and seals to ensure air tight.
- Panels fixed with screws.
- Removable panels.
- Opposed blade dampers in galvanized steel sheet and safety grille for ambient air and room air suction.
- Actuator for each damper.
- Terminals for electric connection to the unit.
- Combined Temperature / Humidity sensor on machine air suction. The sensor must be moved outside the air conditioners for a proper read of the room temperature value.
- Temperature sensor for outdoor air. The sensor must be installed in the outdoor air suction duct or anyway protected against atmospheric agent.
- Free contact for free-cooling operating status monitoring.
- Set of fixing elements to fasten the plenum to the unit.

For a correct installation use a gasket between the plenum and the unit.

WARNING

IT IS COMPULSORY TO INSTALL INTO THE ROOM AN APPROPRIATELY SIZED OVERPRESSURE DAMPER TO ALLOW THE ROOM AIR EXHAUSTION DURING FREE-COOLING WORKING MODE.

INSTALLATION EXAMPLE

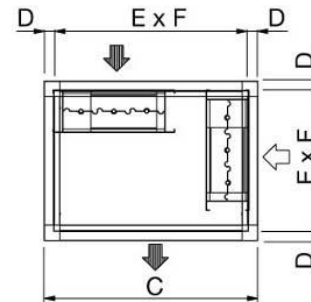
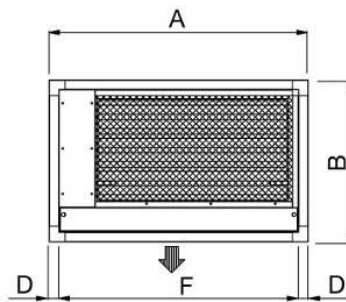


Ducting are at Customer care.

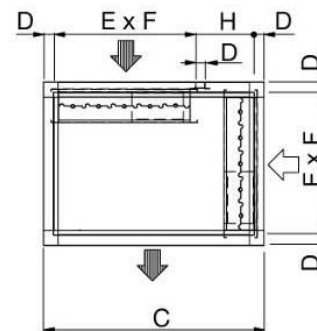
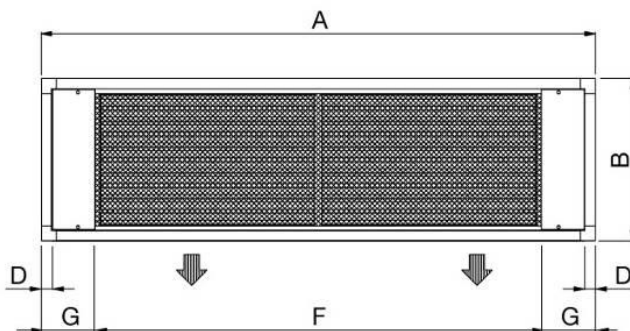
We suggest you to install a rain-proof grille on ambient air intake.

UNDER VERSION

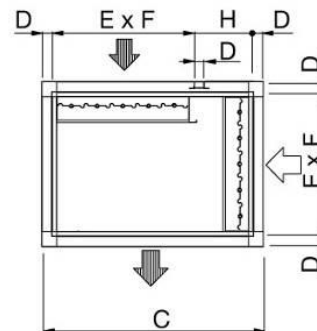
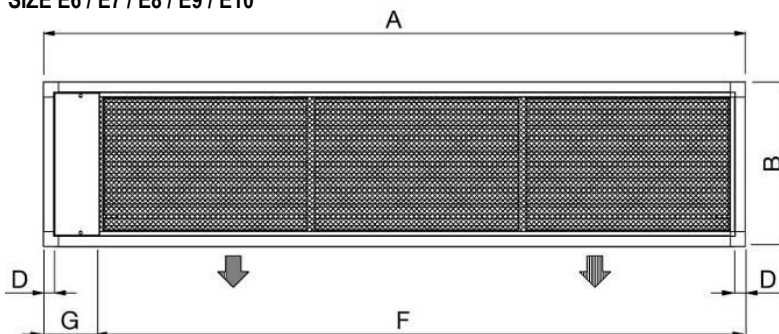
SIZE E1 / E2 / E3 / E3P



SIZE E4 / E5



SIZE E6 / E7 / E8 / E9 / E10



Size		E1	E2	E3	E3P	E4	E5	E6	E7	E8	E9	E10
A	mm	650	785	1085	1085	1305	1630	1873	2175	2499	2899	3510
B	mm	490	490	490	630	630	630	630	630	630	630	630
C	mm	650	650	750	905	905	905	905	905	905	905	905
D	mm	30	30	30	40	40	40	40	40	40	40	40
E	mm	430	430	430	550	550	550	550	550	550	550	550
F	mm	590	725	1025	1005	1035	1335	1664	1965	2220	2670	3135
G	mm	--	--	--	--	135	147,5	209	210	279	229	375
H	mm	--	--	--	275	275	275	275	275	275	275	275
Weight (1)	kg	24	27	35	43	53	61	78	90	110	130	155

1. Add this value to the total unit weight

OPTIONAL ACCESSORIES – COOLNET

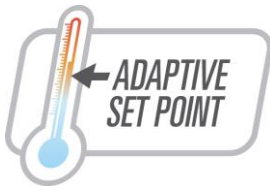


COOLNET: Intelligent NET for IT Cooling that maximizes the energy saving in LOAD SHARING

MAIN FEATURES

COOLNET is a software that applies to chilled water air conditioners microprocessor control system. It optimizes the LOAD SHARING working mode and maximizes the energy savings.

OPTIONAL ACCESSORIES – ADAPTIVE SET-POINT



ADAPTIVE SET-POINT

An advanced algorithm that instantaneously detects the real thermal load of the indoor units and then conveys this information to the outdoor chillers, strongly increasing their operation.

- Dynamic variation of the chillers set point and water flow.
- Increasing of the free cooling mode.
- Adoption of the active redundancy system to better exploit stand-by chillers.

DATA CENTER MANAGER (Optional accessory)

DATA CENTER MANAGER is a centralized management system that ensures a smart communication between indoor chilled water units and the outdoor chillers.

The device manages the outdoor units according to the inlet and outlet temperature registered by the probes and by request of the indoor unit.

OPTIONAL ACCESSORIES – KIPlink – Keyboard in your Pocket



KIPlink - Keyboard In Your Pocket - is the innovative user interface based on WiFi technology that allows one to operate on the unit directly from the smartphone or tablet. Using KIPlink, it is possible to turn the unit on and off, adjust the set-point, plot the main operating variables, monitor in detail the status of the refrigerant circuits, the compressors, the fans and display and reset the possible alarms.

Scan the QR code on the electrical board of the unit to have access to the unit control through web browser web or App. The access is possible within the local WiFi network.

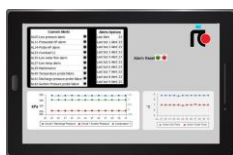
KIPlink hardware:

- Wi-Fi antenna in the electrical board;
- ON/OFF button with power LED and Unit status LED. Provided when the unit is equipped with KIPlink and without 6-keys keyboard (optional).

KIPlink allows;

- Easy and enhanced unit management
- Real-Time graphs and key trends
- Different information for each kind of user

OPTIONAL ACCESSORIES – RC CLOUD PLATFORM: WEB SERVICES BASED ON CLOUD TECHNOLOGY FOR REMOTE MONITORING AND MANAGEMENT OF AIR CONDITIONING PLANTS.



Log-in to the web site
<http://rccloudplatform.rcgroup.it>
automatic language recognition

RC Cloud Platform is an ecosystem of web services for remote monitoring and management of air conditioning plants; specifically designed for mobile usage on tablets and smartphones, it allows to access plant data everywhere on the go so saving time, money and delivering a higher service level to the customer.

TECHNOLOGY

Based on cloud technology it allows, through machines data telemetry, to monitor and control units on the field, process data and perform proactive maintenance.

The hardware heart of the system is the RC Cloud box that can collect plant data (up to 31 devices and up to 1000 registers).

Connectivity between monitored devices and RC Cloud box may be wired in Ethernet, RS485, RS232 and must be in MODBUS protocol.

RC Cloud Platform then send these data to dedicated server in cloud in through the mobile (GPRS or 3G) network or ADSL.

RC considers with great attention the security of customer information, so every communication channel may be encrypted in VPN, guaranteeing privacy and typical security policies commitment.

USER SIDE

RC Cloud Platform is designed for mobile communication. So the user just need a tablet or a smartphone to access the RC Cloud Platform and check his plant.

RC Cloud Platform App is available both on Android and iOS operating systems so the environment may be accessed directly from them beyond company site and platform site (<http://rccloudplatform.rcgroup.it>). Access through pc is available too.

FUNCTIONS

Telemetry & Data Export

Data polling and history of all data (1 year).
Export diagram and table (csv). **Your data always on the go.**

Multi Device

Many type of devices can be connected to the same box (chillers, close control, energy meters, flow meters, pumps,...).

Only a request: MODBUS protocol. Electrical connection in Ethernet, RS 485 or RS 232.

Multi Language

English native, RC Cloud Platform language pack is available for the main markets.

Virtual Display

Monitoring and control (on/off, alerts reset, main parameters change) as being beside the unit, in an augmented reality way.

Designed for Mobile.

Same as standing in front of the unit, when in your office or in any other place.

Internet Connectivity

ETHERNET + GPRS + 3G connection capability on Public and Virtual Private Network (VPN).
Your security and privacy are a top priority.

Alerts Warning through:

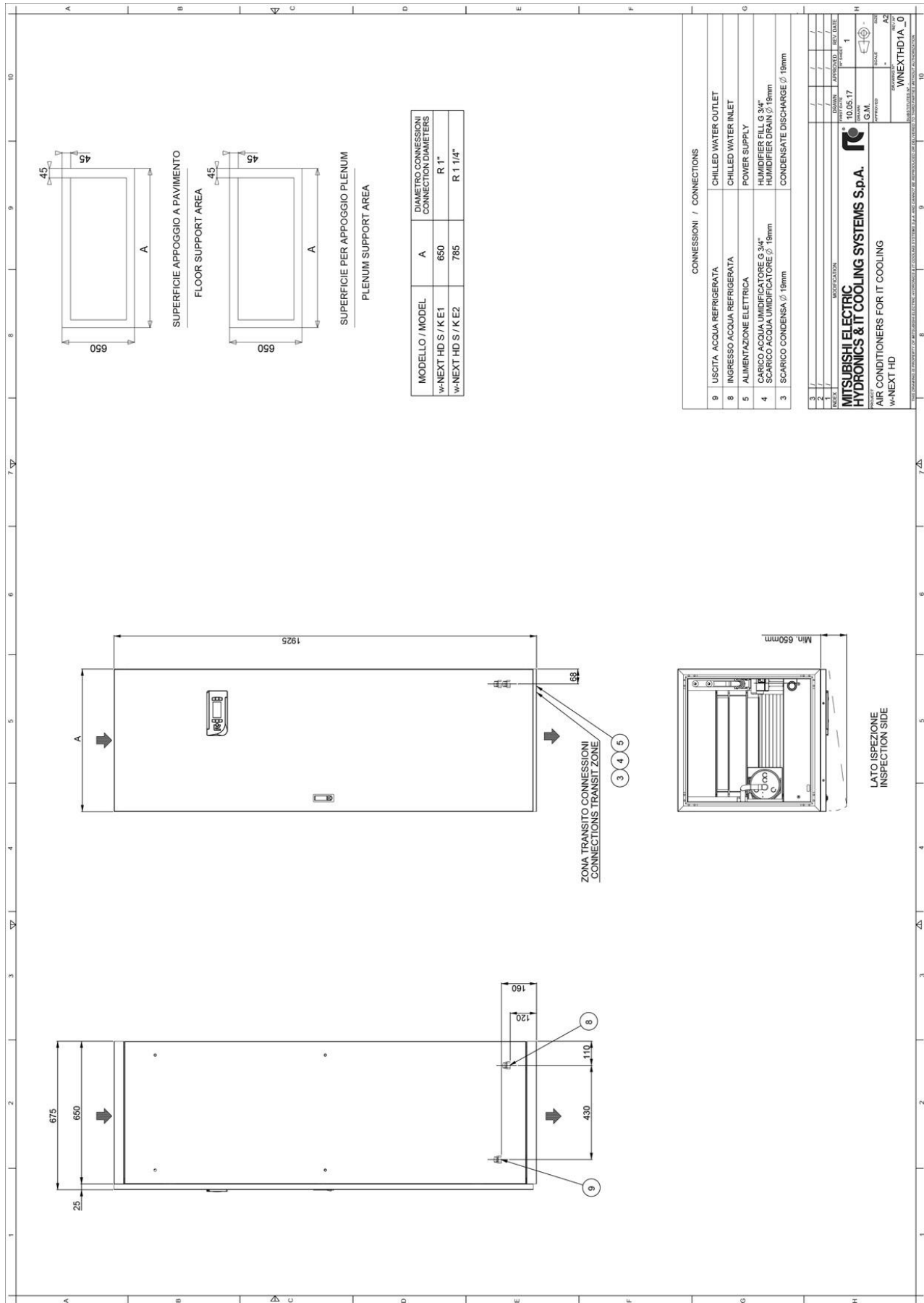
- Push notification
- e-mail
- Voice calls
- SMS

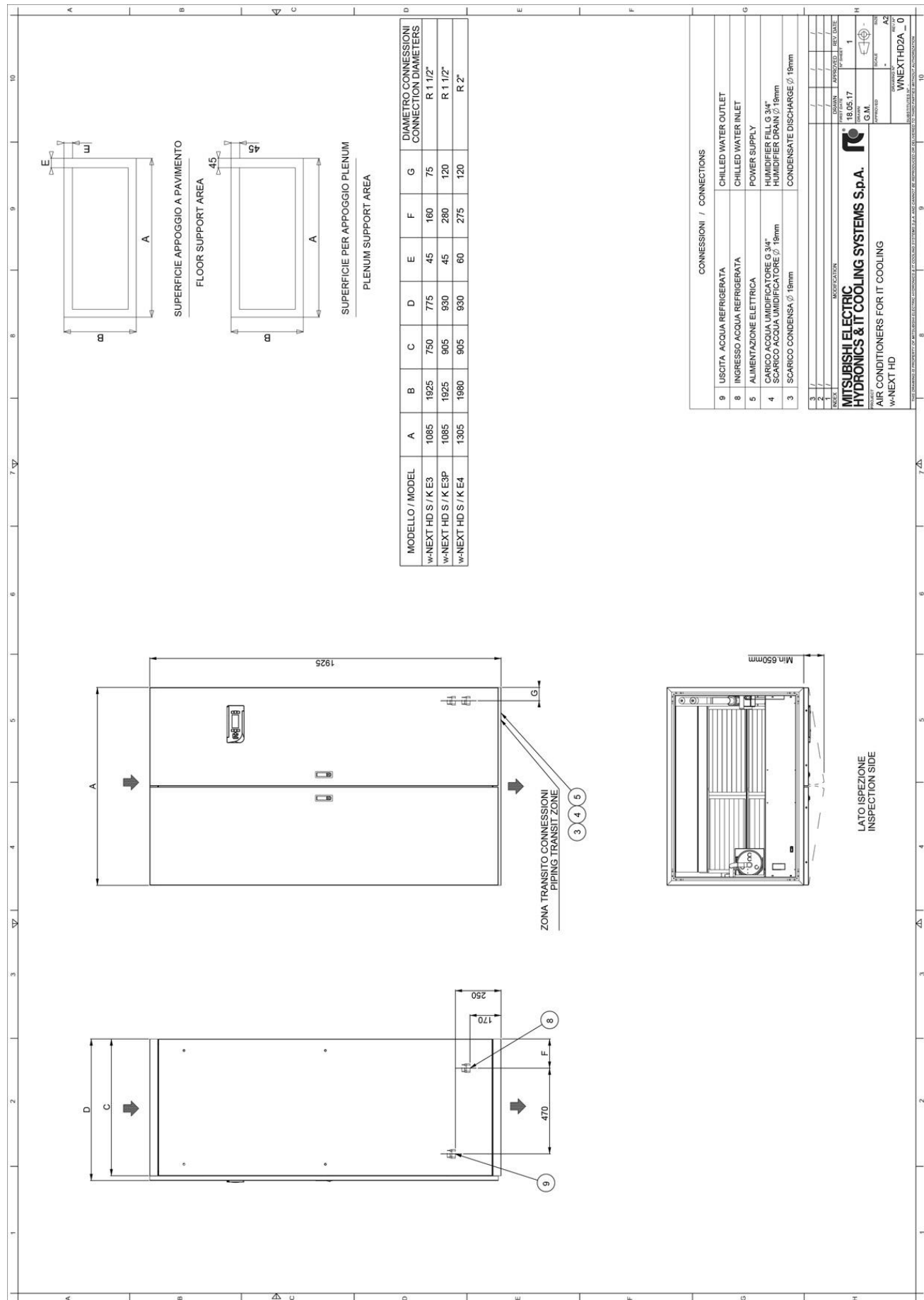
Processing of specialized plant KPI to get:

- Energy performance (gross instant EER)
- Components Failure Forecast (coming soon)
- Unit diagnosis

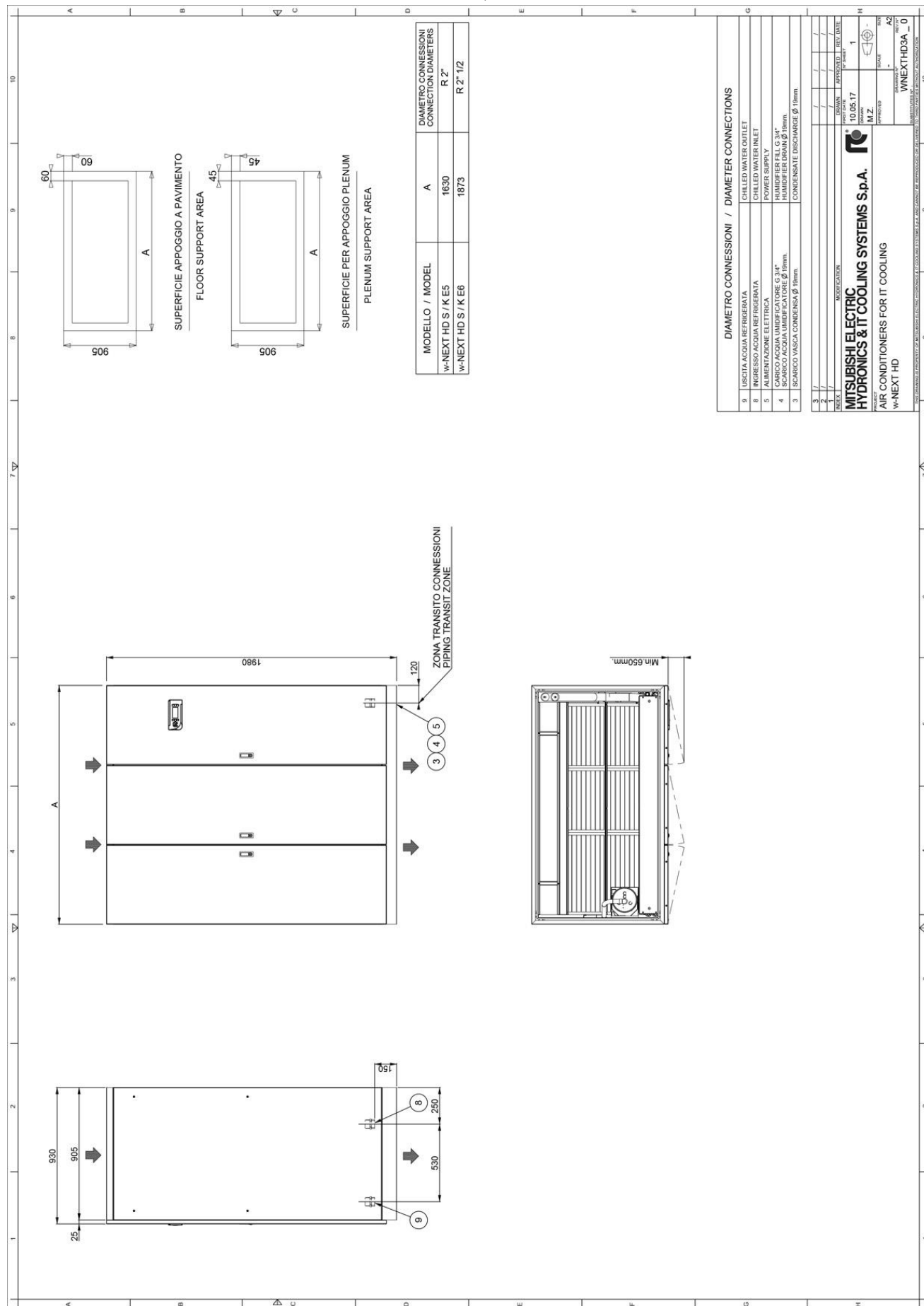
MACHINE DRAWINGS

Dimensions in mm - w-NEXT HD S & K Under E1, E2

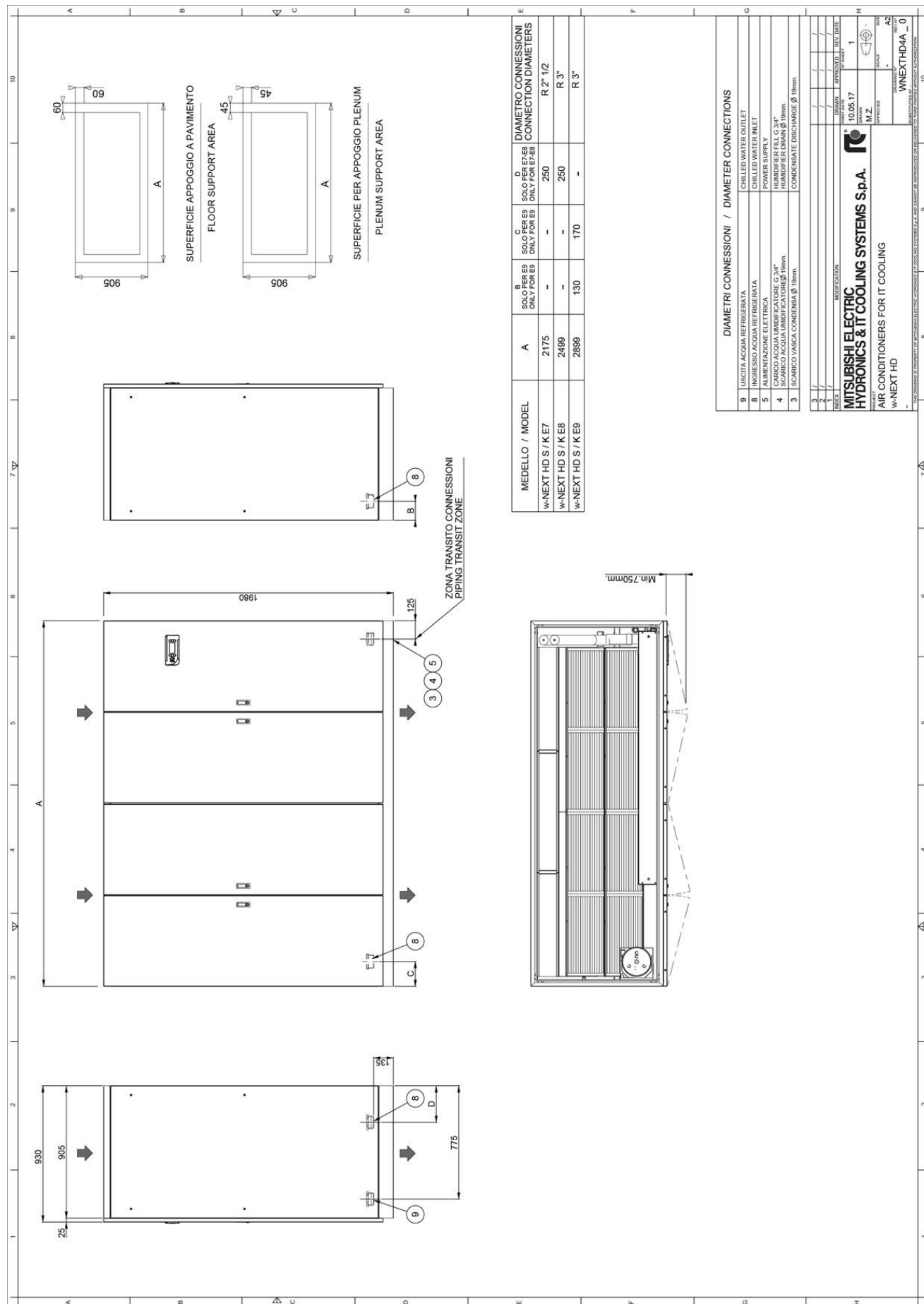




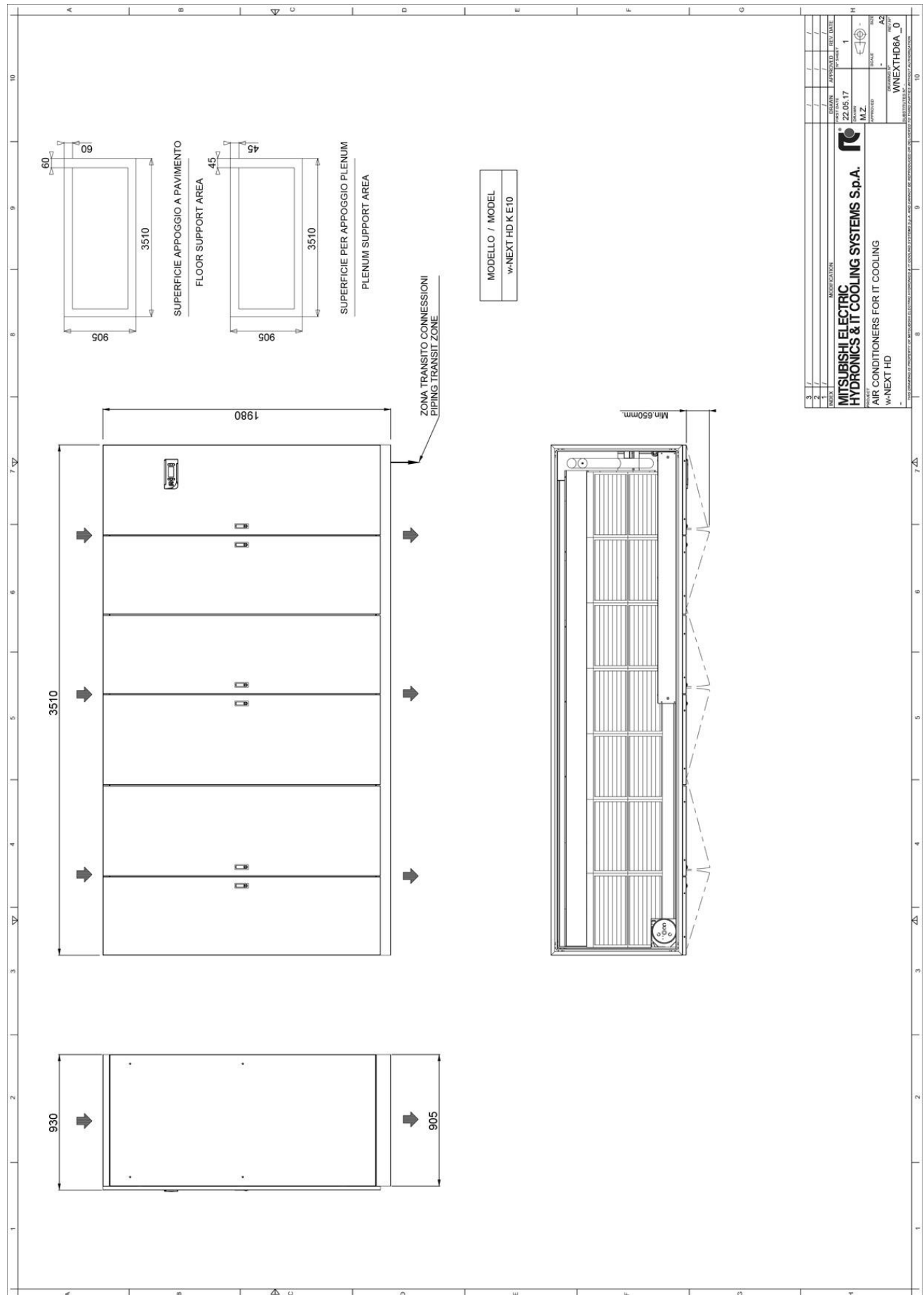
MACHINE DRAWINGS - Dimensions in mm - w-NEXT HD S & K Under E5, E6



MACHINE DRAWINGS - Dimensions in mm - w-NEXT HD S & K Under E7, E8, E9

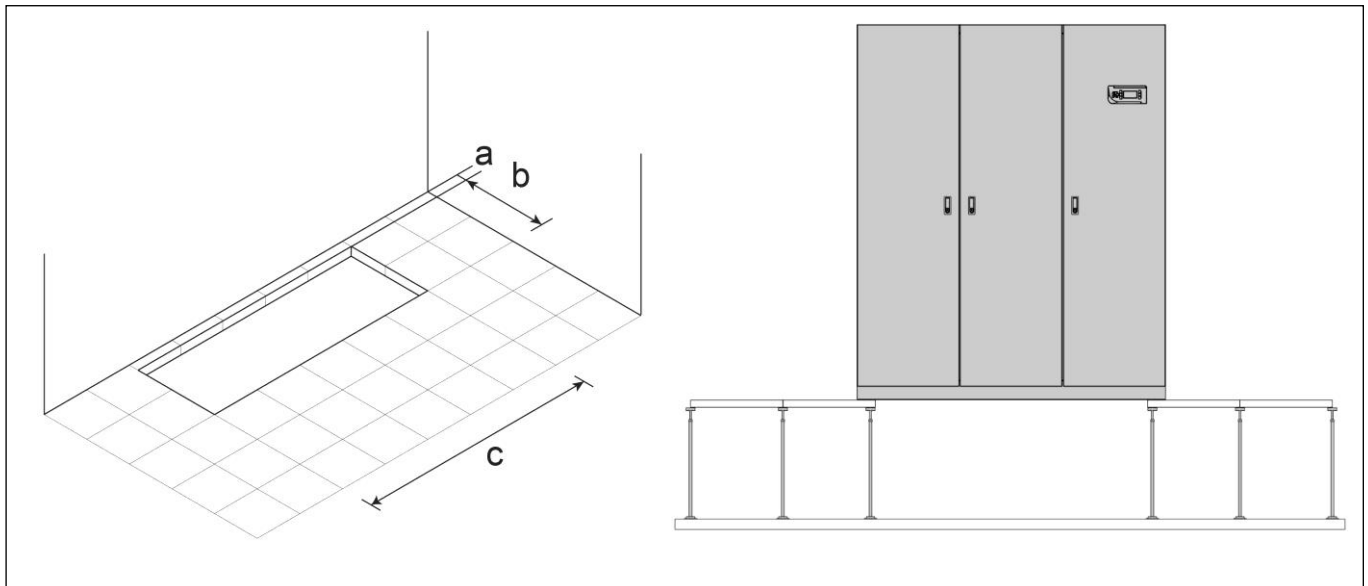


MACHINE DRAWINGS - Dimensions in mm - w-NEXT HD S Under E10



HOLE IN THE RAISED FLOOR FOR DOWNFLOW VERSION

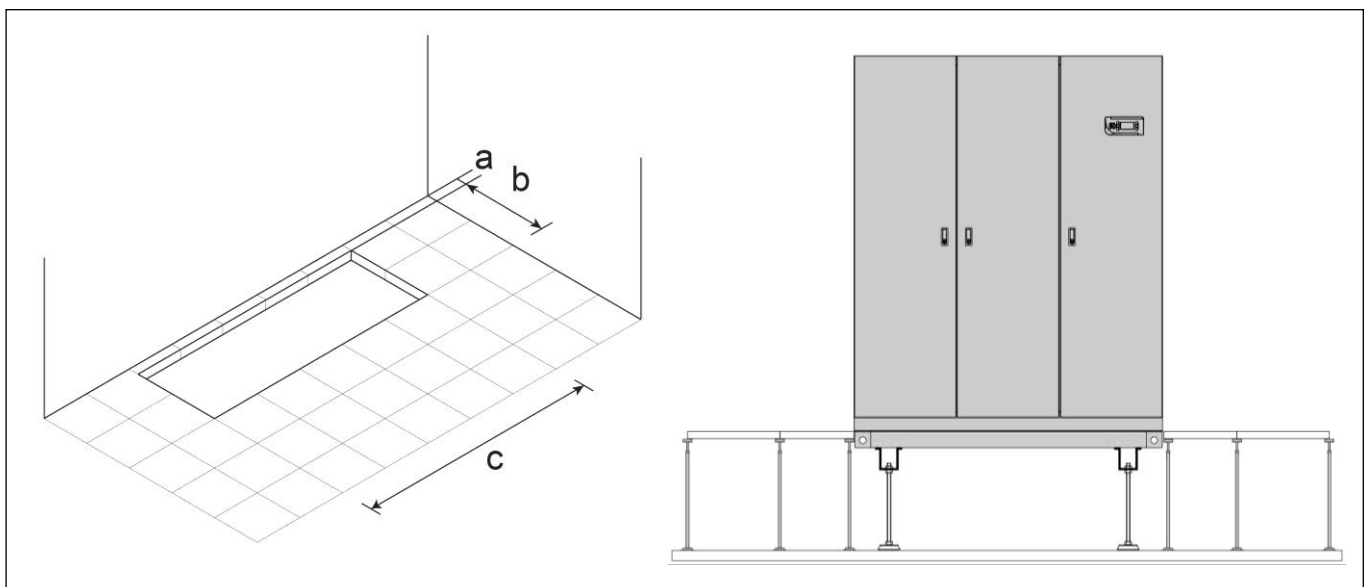
HOLE IN THE RAISED FLOOR WITHOUT FLOOR STAND



Foresee a hole in the floor with the following dimensions:

		E1	E2	E3	E3P	E4	E5	E6	E7	E8	E9	E10
a	mm	95	95	95	95	110	110	110	110	110	110	110
b	mm	560	560	660	815	785	785	785	785	785	785	785
c	mm	560	695	995	995	1185	1510	1755	2055	2380	2780	3390

HOLE IN THE RAISED FLOOR WITH FLOOR STAND (OPTION)

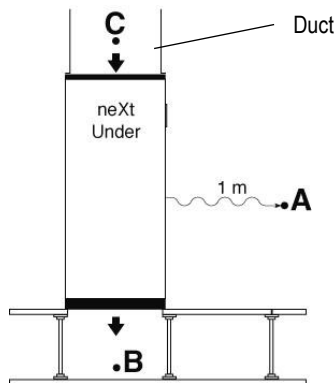


Foresee a hole in the floor with the following dimensions:

		E1	E2	E3	E3P	E4	E5	E6	E7	E8	E9	E10
a	mm	50	50	50	50	50	50	50	50	50	50	50
b	mm	670	670	770	925	925	925	925	925	925	925	925
c	mm	670	805	1105	1105	1325	1650	1895	2195	2520	2920	3530

EXAMPLE FOR MACHINES NOISE EMISSION CALCULATION

w-NEXT S UNDER WITH DUCT ON AIR INTAKE



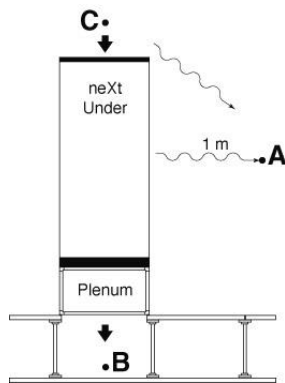
Lp A = Front side Under catalogue value

Lp B = Air delivery Under catalogue value

Lp C = Air intake Under catalogue value

The points B and C do not influence the point A

w-NEXT S UNDER WITH PLENUM ON AIR DELIVERY



Lp A = Front side Under catalogue value

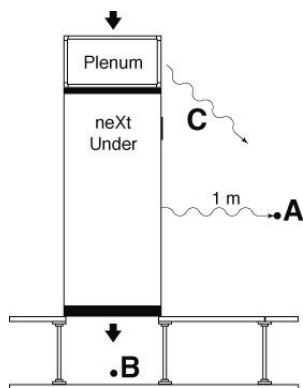
Lp B = Air delivery Under catalogue value – plenum noise reduction

Lp C = Air intake Under catalogue value

$$Lp A+C = 10 \log_{10} \left(10^{\frac{LpA}{10}} + 10^{\frac{LpC}{10}} \right)$$

The point B do not influence the point A

w-NEXT S UNDER WITH PLENUM ON AIR INTAKE



Lp A = Front side Under catalogue value

Lp B = Air delivery Under catalogue value

Lp C = Air intake Under catalogue value – plenum noise reduction

$$Lp A+C = 10 \log_{10} \left(10^{\frac{LpA}{10}} + 10^{\frac{LpC}{10}} \right)$$

The point B do not influence the point A

EXAMPLE FOR MACHINES NOISE EMISSION CALCULATION

The noise pressure level of an installed unit is affected by the room acoustic characteristics.
Please consider an average noise increase of +4/+6 dB(A).

VALVE PRESSURE DROP CALCULATION AS FUNCTION OF WATER FLOW RATE

Flow coefficient k_v defines the water flow (between 5°C and 40°C) expressed in m³/h that cross a valve with a pressure drop of 1bar (100kPa).

With this data is possible to calculate the localized pressure drop as function of the water flow rate.

$$\Delta P = (Q / k_v)^2$$

ΔP (bar) = localized pressure drop of valve;

Q (m³/h) = water flow rate – it varies according to the desired operating condition;

k_v (m³/h) = valve flow coefficient.

The formula allows to calculate the value of the localized pressure drop (in bar).

The pressure drops values showed on the documentation are supplied in kPa.

Is possible to change from one unit to another through the following conversion.

$$1 \text{ bar} = 100\text{kPa}$$

CALCULATION EXAMPLE OF 2-WAY VALVE FOR BY-PASS PRESSURE DROP IN FUNCTION OF CHILLED WATER COIL WATER FLOW RATE

w-NEXT HD S 146 E9 – CHILLED WATER COIL

Example at nominal conditions. Characteristics referred to entering air at 24°C-50%RH with chilled water temperature 7-12°C - 0% glycol.

Water flow rate: 24,9 m³/h

Valve flow coefficient k_v : 40 m³/h

$$\text{2-way valve for by-pass pressure drop: } \Delta P = (Q / k_v)^2 = (29,4 / 40)^2 = 0,387 \text{ (bar)} * 100 \text{ (kPa / bar)} = 38,7 \text{ kPa}$$





for a greener tomorrow

Eco Changes is the Mitsubishi Electric Group's environmental statement, and expresses the Group's stance on environmental management. Through a wide range of businesses, we are helping contribute to the realization of a sustainable society.



MITSUBISHI ELECTRIC HYDRONICS & IT COOLING SYSTEMS S.p.A.

Via Roma 5 • 27010 Valle Salimbene (PV) • Italy
Ph. +39 0382 433811 • Fax +39 0382 587148

www.rcitcooling.com
www.melcohit.com